

SINGER

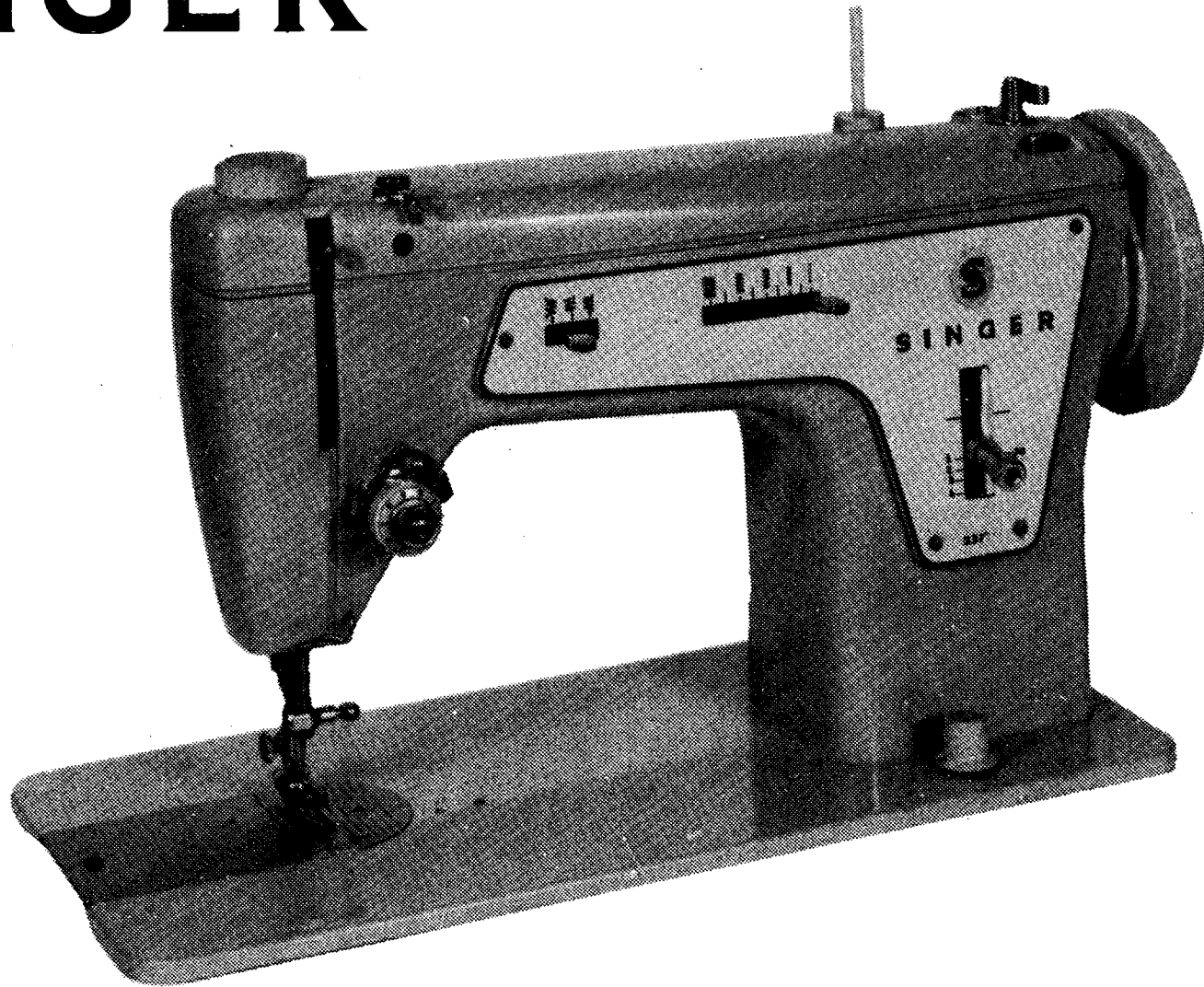


Sewing Machine

237

THE SINGER COMPANY

SINGER*



*A Trademark of THE SINGER COMPANY

sewing machine model 237

AS THE OWNER OF THE SINGER* 237

you have a completely new, smooth running sewing machine which offers you a new world of sewing enjoyment.



SINGER SERVICE

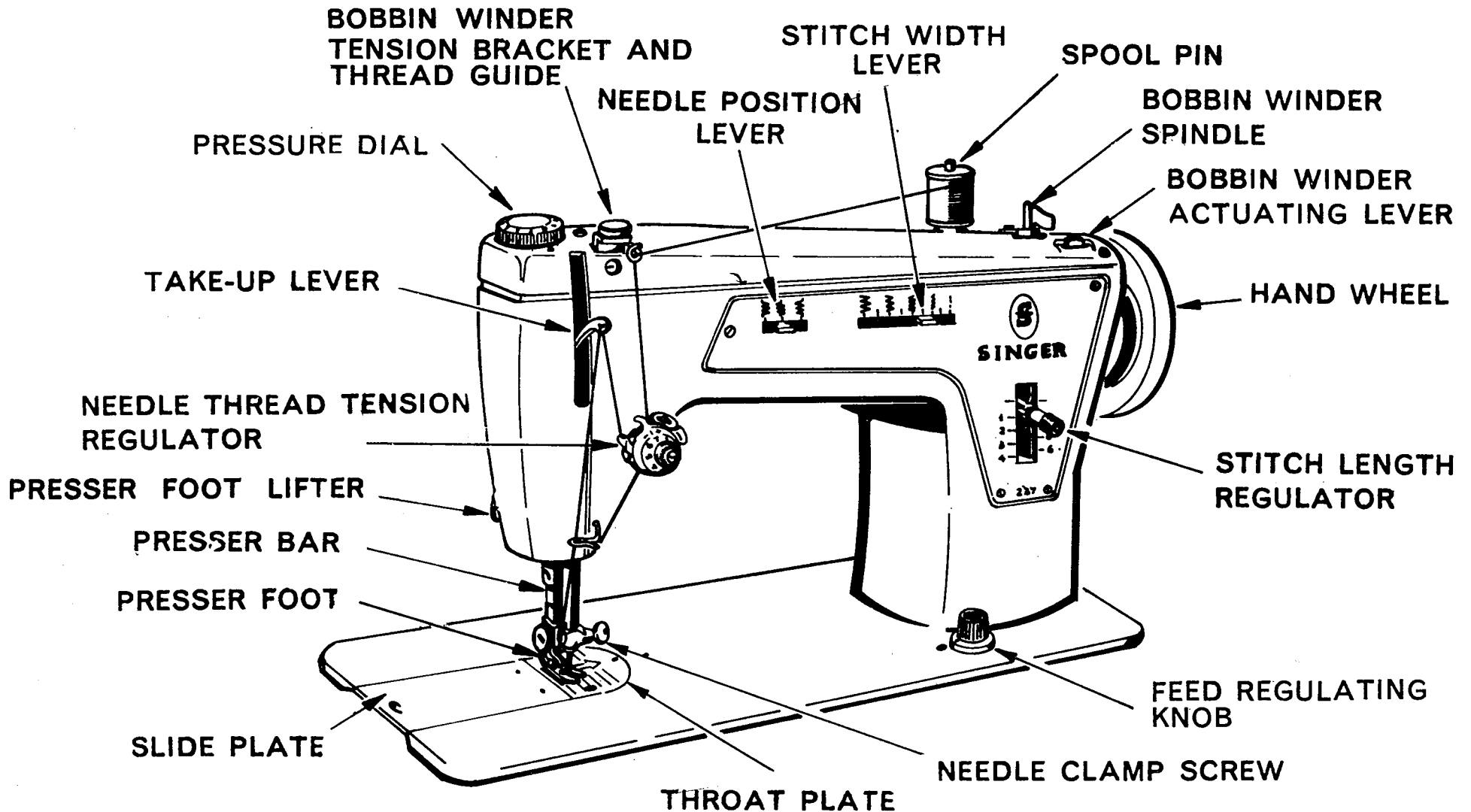
Wherever you go you will find expert, dependable SINGER* Service close at hand. SINGER is interested in helping you keep your SINGER Sewing Machine in top running condition. That is why you should always call your SINGER SEWING CENTRE OR AUTHORIZED SINGER DISTRIBUTOR if your machine ever requires adjustment or repair. Only from them can you obtain the services of a trained SINGER mechanic and warranted SINGER* parts.



EVERYTHING FOR THE WOMAN WHO SEWS

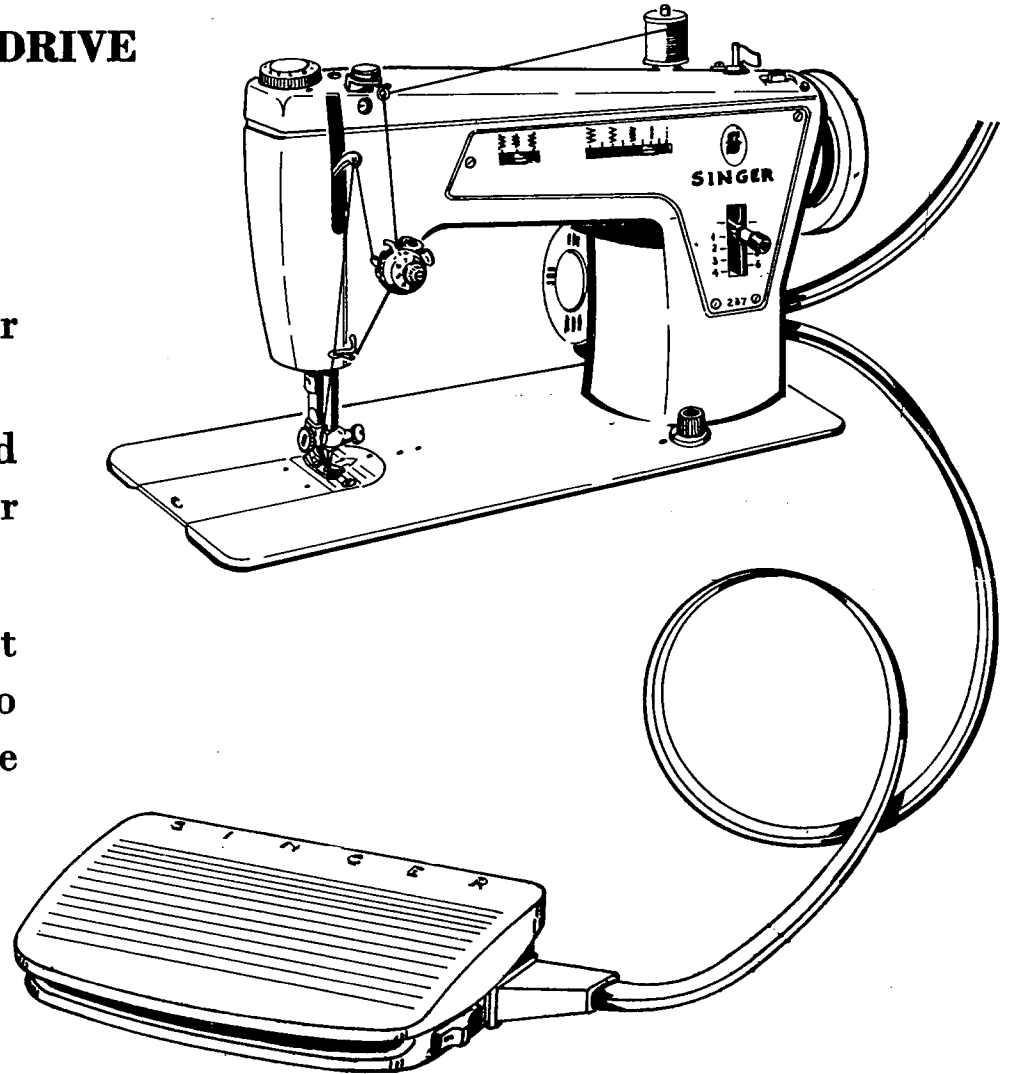
The answer to your sewing needs is at your SINGER SEWING CENTRE. There you will find a wide choice of sewing aids, notions, sewing information and services. Look for the famous red "S" and SINGER trademarks on your SINGER SEWING CENTRE and the ever ready SINGER Service Car. Look under SINGER SEWING MACHINE COMPANY, in phone book, for address nearest you.

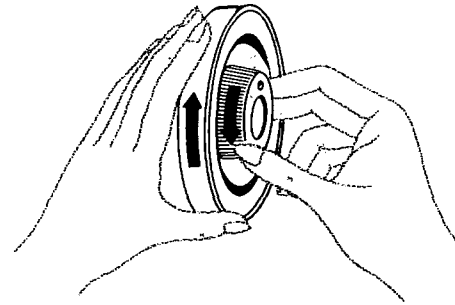
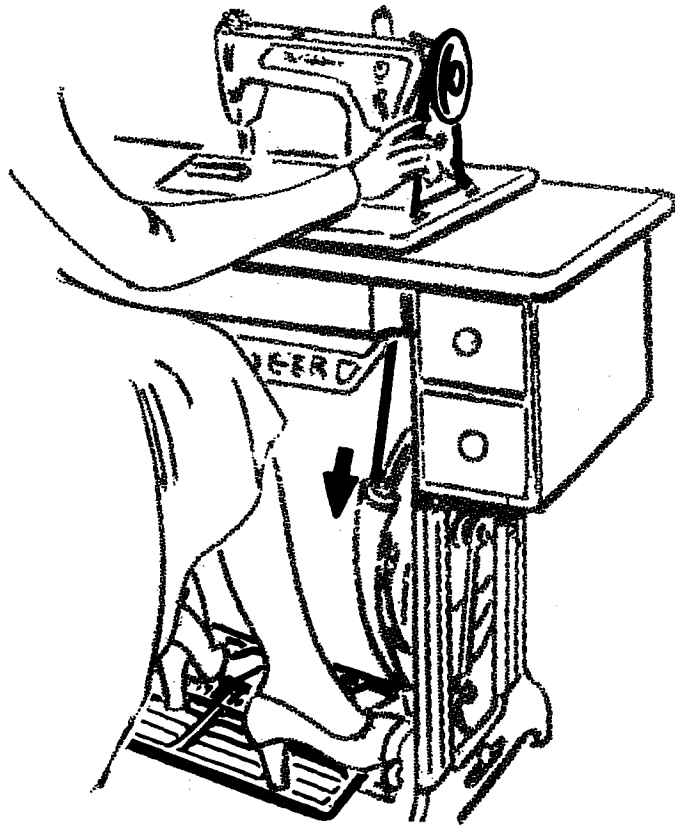
PRINCIPAL PARTS OF MACHINE 237



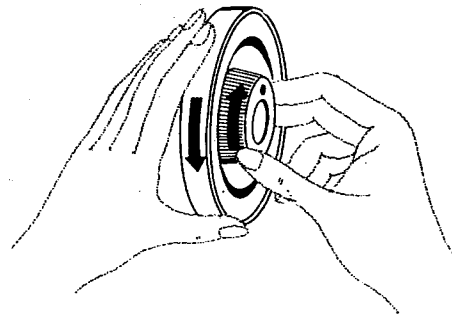
OPERATING THE MACHINE ELECTRIC DRIVE

- 1 Connect plug to electric outlet.
- 2 Raise presser foot.
- 3 Place fabric under presser foot and lower the presser foot.
- 4 Start machine by pressing down on speed controller. The harder you press the faster the machine will sew.
- 5 Practice operating machine (without thread) until you become accustomed to guiding fabric and regulating machine speed.



OPERATING THE MACHINE (Cont'd)**Treadle Drive**

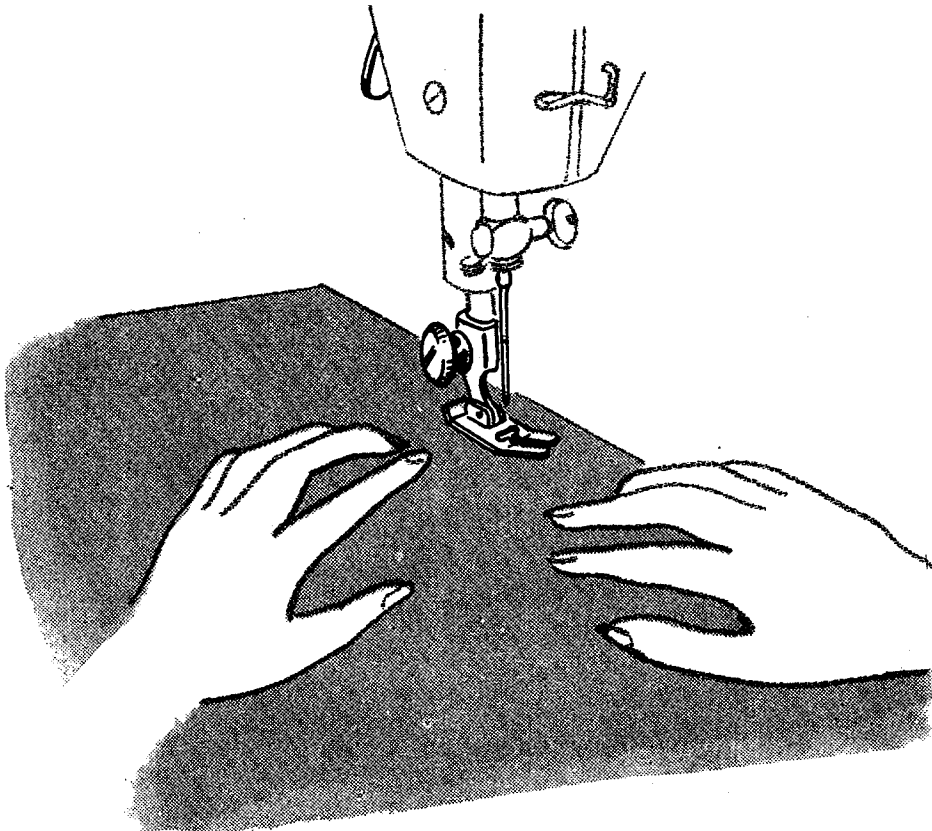
- 1 Loosen stop motion screw.
- 2 Place both feet on treadle.
- 3 Turn hand wheel over toward you, allowing feet to move freely and lightly with motion of treadle.
- 4 Practice this motion until you are able to start and keep machine in operation with hand wheel turning over toward you.



- 5 Tighten stop motion screw.

OPERATING THE MACHINE (Cont'd)

Treadle drive (cont'd)

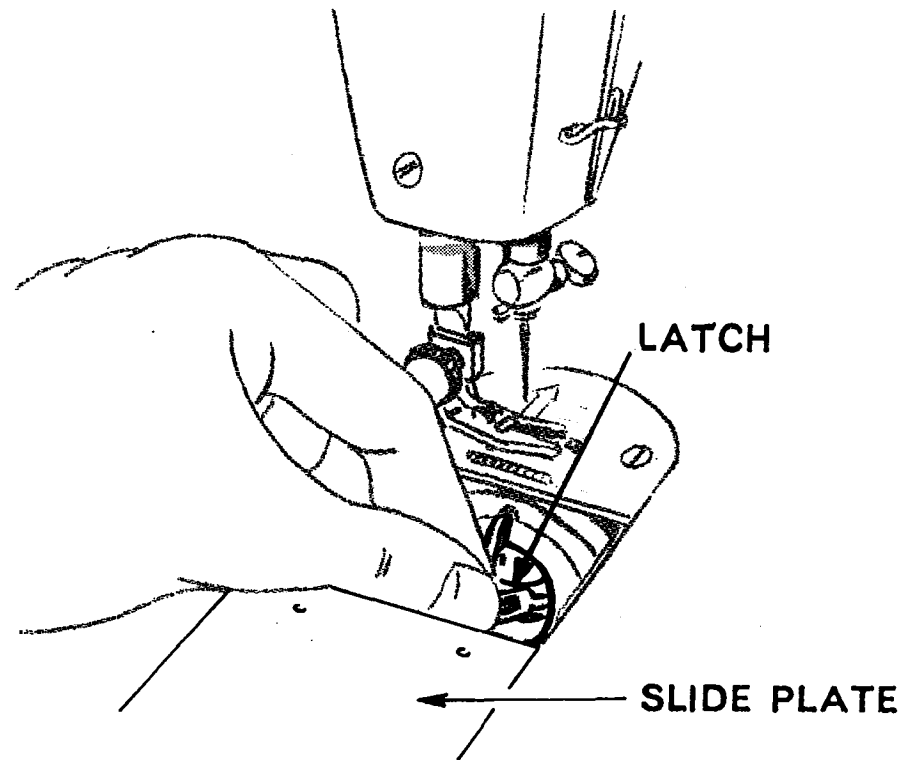


- 6 Place fabric under presser foot and lower the presser bar.
- 7 Operate machine (without thread) until you become accustomed to guiding the fabric.

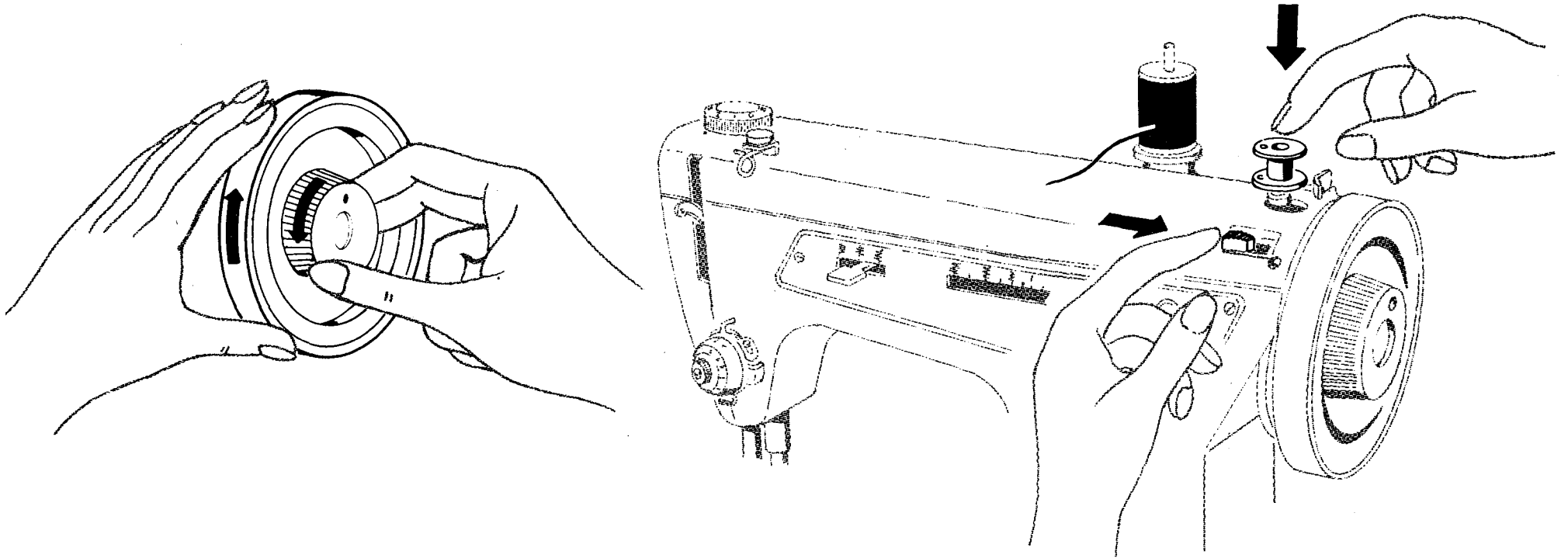
NOTE - After sewing disengage the belt by removing it from the handwheel.

REMOVING BOBBIN CASE AND BOBBIN

- Raise take-up lever to its highest position.
- Open slide plate.
- Open bobbin case latch and lift out bobbin case.
- Release latch and bobbin will drop out.



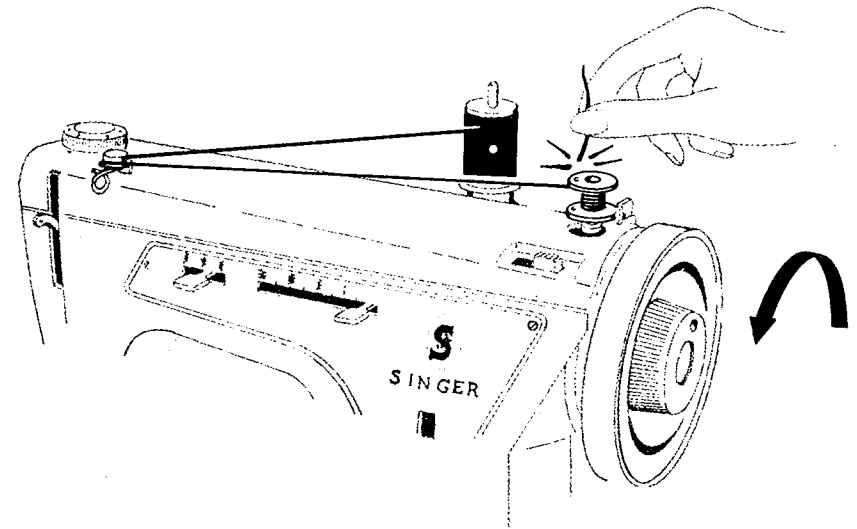
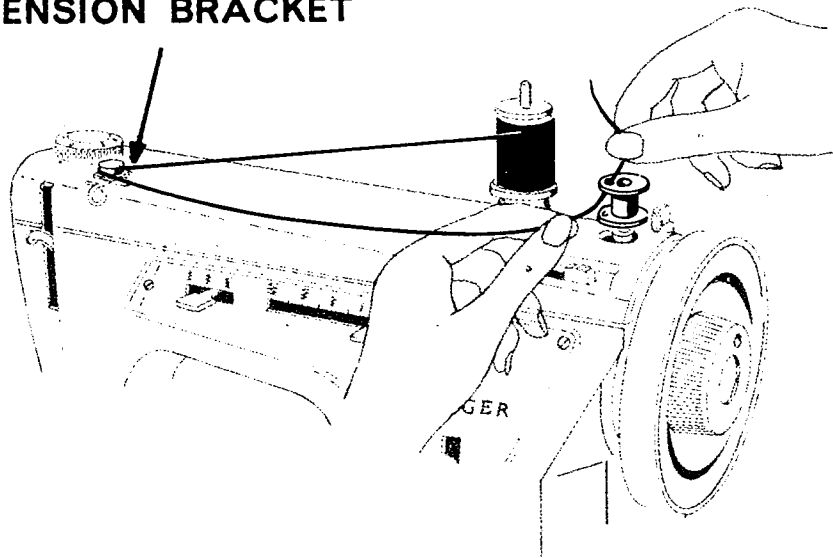
WINDING THE BOBBIN



- Loosen stop motion screw with right hand while holding hand wheel with left hand.
- Place empty bobbin on spindle.
- Move bobbin winder actuating lever to the right.

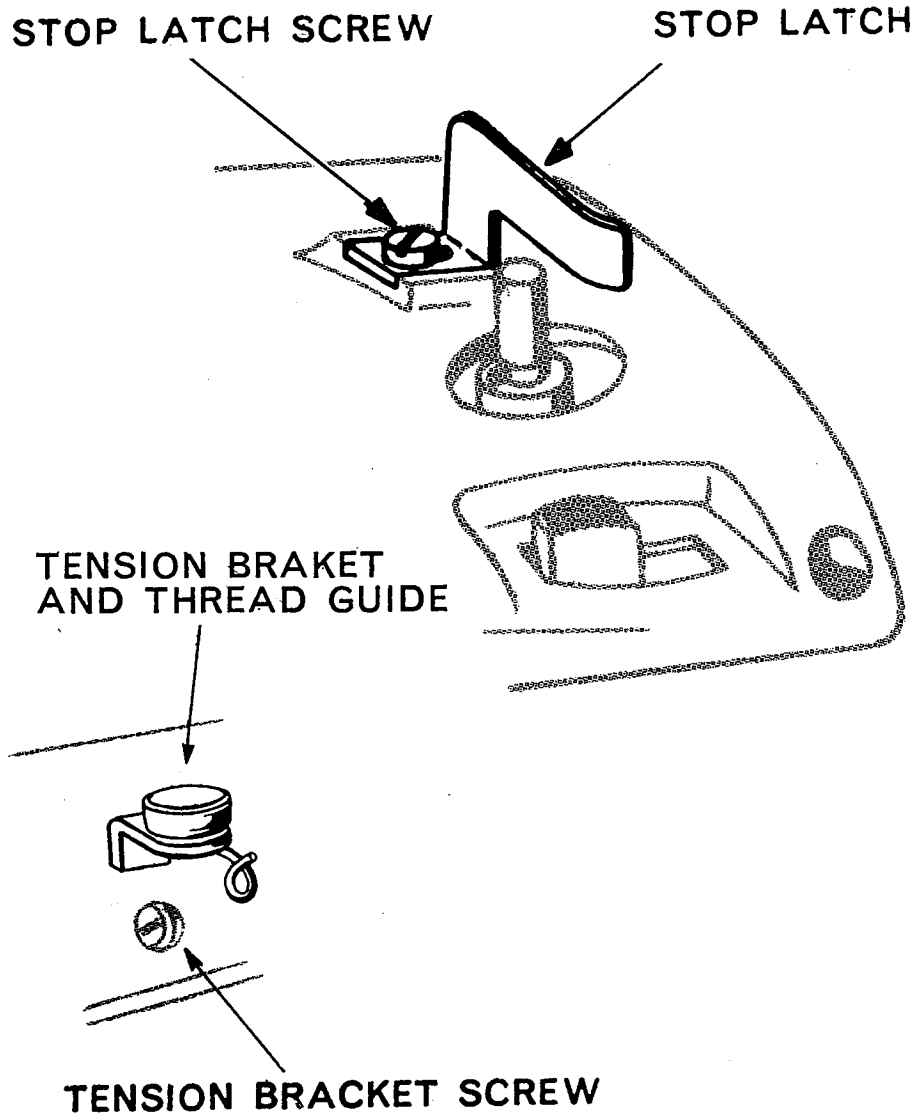
WINDING THE BOBBIN (Cont'd)

**BOBBIN WINDER
TENSION BRACKET**



- Place spool of thread on spool pin.
- Lead thread from spool, around bobbin winder tension bracket disc and through hole in bobbin as shown.
- Hold end of thread and start machine (end of thread will snap off after a few coils have been wound).
- When required amount of thread has been wound (winding will stop when bobbin is full), stop machine and move bobbin winder lever to left. Cut connecting thread and remove bobbin.
- Tighten stop motion screw with right hand while holding hand wheel with left hand.

WINDING THE BOBBIN (Cont'd)

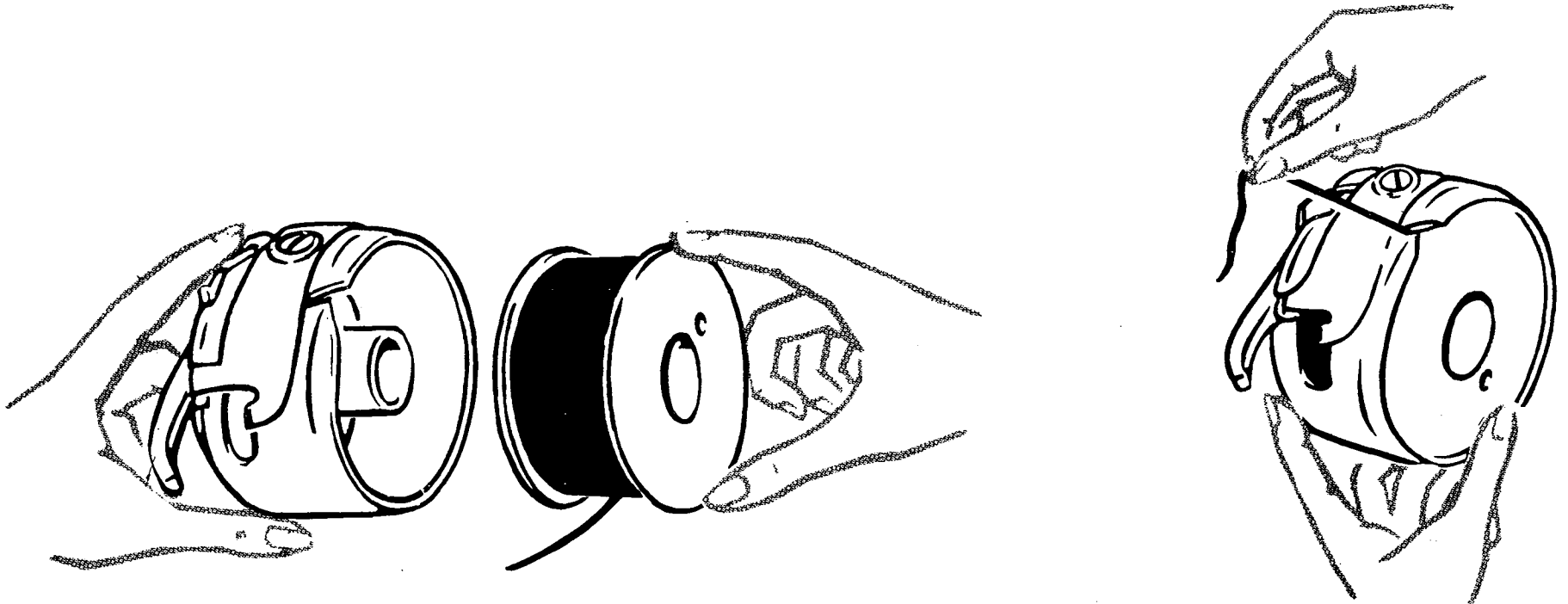


TO CONTROL AMOUNT OF THREAD ON BOBBIN

- Loosen stop latch screw.
- Move stop latch to left for less thread on bobbin.
- Move stop latch to right for more thread on bobbin.
- Tighten stop latch screw.

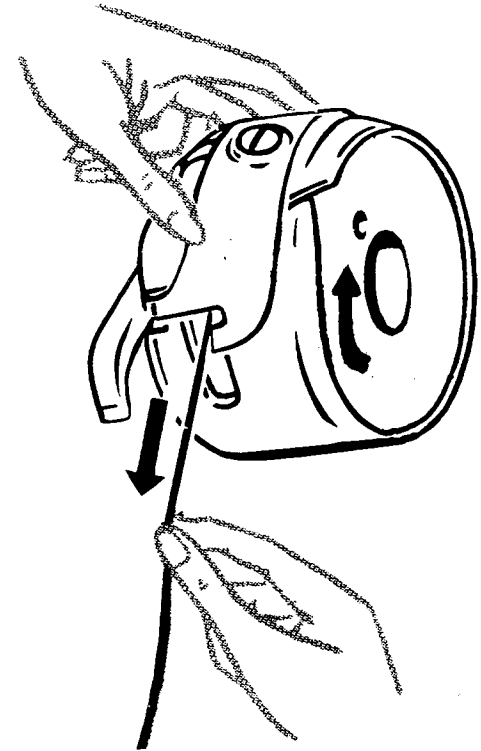
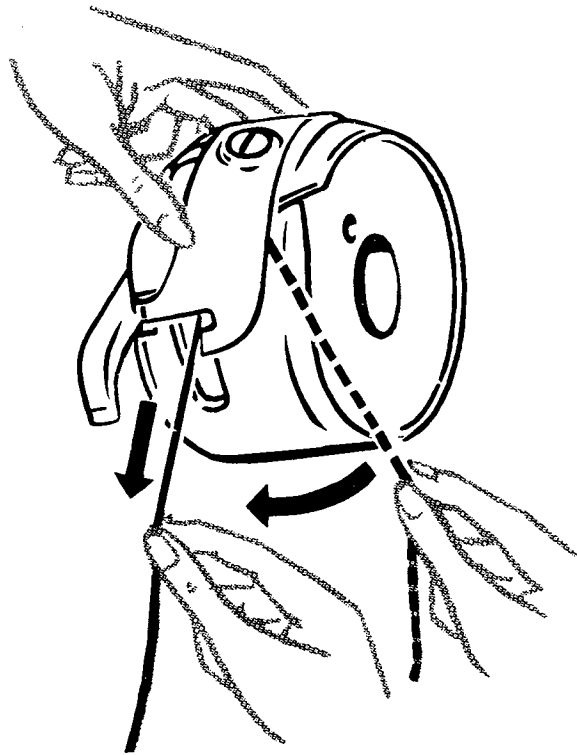
IF THREAD DOES NOT WIND EVENLY

- Loosen tension bracket screw.
- Lower bracket if too much thread is wound on top of bobbin.
- Raise bracket if too much thread is wound on bottom of bobbin.
- Tighten tension bracket screw.

THREADING THE BOBBIN CASE

● Hold bobbin case and bobbin so that thread leads off in direction shown above.

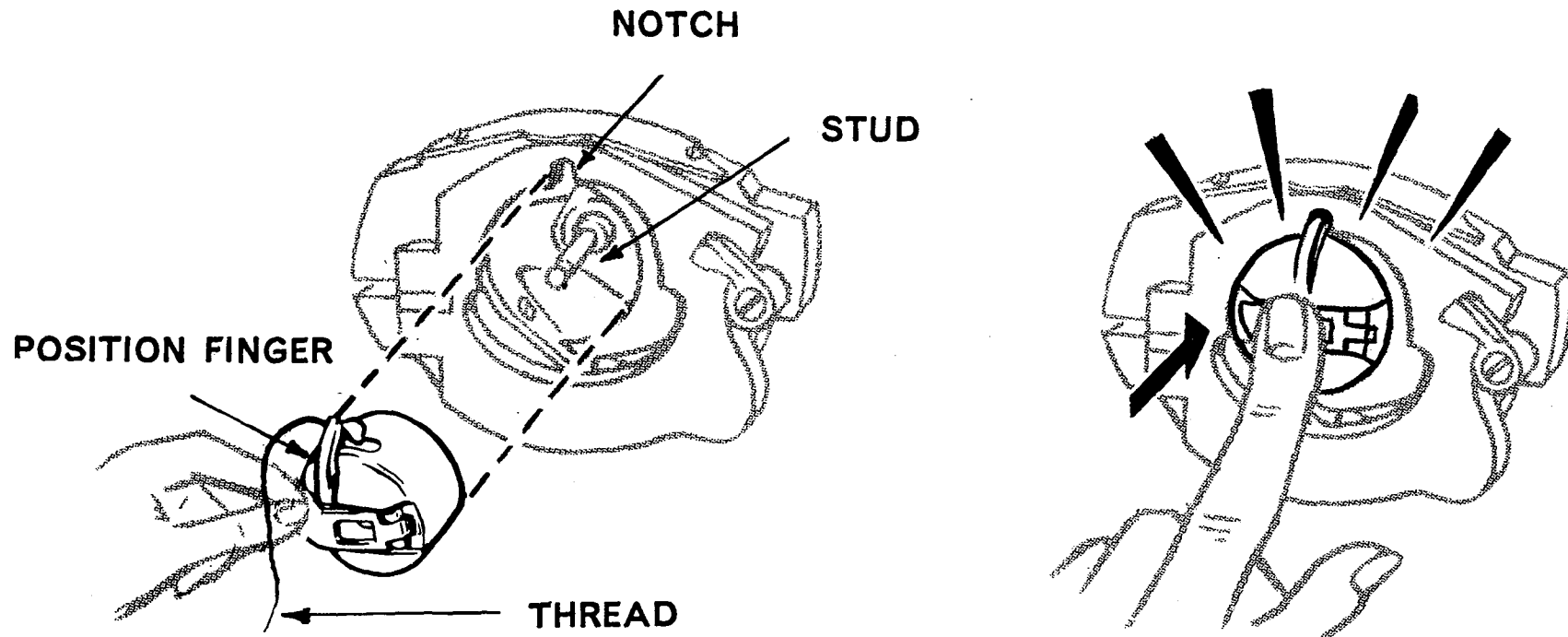
● Place bobbin into bobbin case. Pull thread into slot.

THREADING THE BOBBIN CASE (Cont'd)

- Pull thread under tension spring and into slot at end of spring, as shown.

You have threaded the bobbin correctly when it rotates in a clockwise direction when you pull the thread, as shown.

REPLACING THE BOBBIN CASE



- Hold bobbin case by latch and place it on stud with position finger opposite notch at top of shuttle race, with thread drawn from top of bobbin case.
- Release latch and press bobbin case back until it snaps into place.
- Allow thread to hang free from bobbin case and close slide plate.

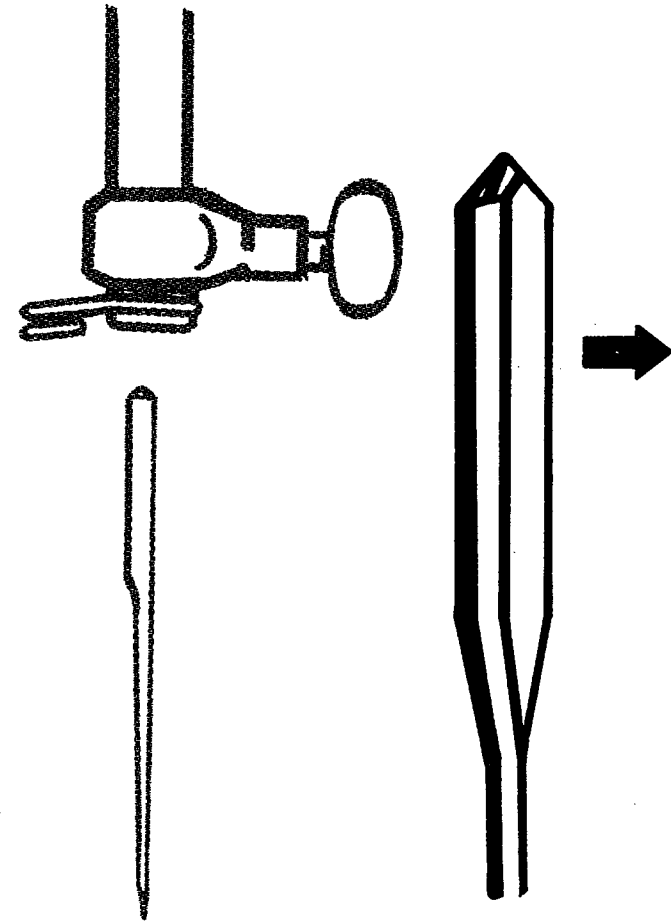
NEEDLES AND THREAD

This machine uses needle, Catalogue 2020 (15 x 1). Sizes 11, 14, 16, 18, 19 and 21.

For perfect stitching, select correct needle and thread to correspond with fabric. Be sure to use like threads for both needle and bobbin.

CHANGING THE NEEDLE

- Raise needle to highest point by turning hand wheel toward you.
- Loosen needle clamp screw and remove needle.
- Insert new needle upward into clamp as far as it will go, with flat side of needle to right and long groove to left.
- Tighten needle clamp screw.



SELECTING NEEDLE AND THREAD

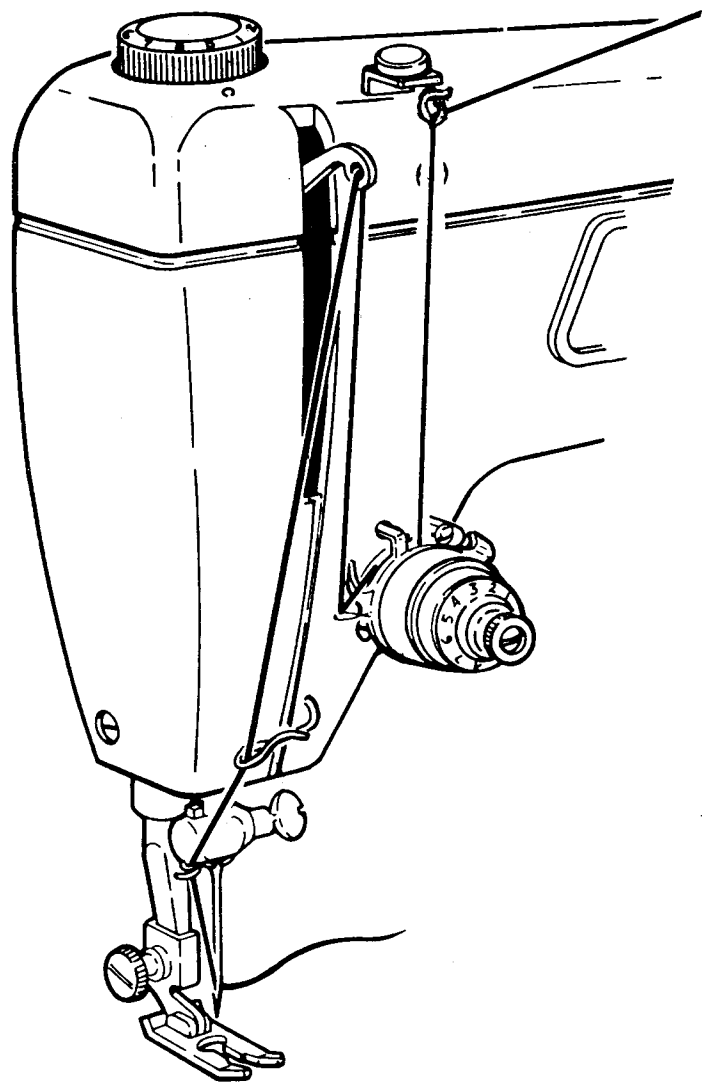
The selection of thread should be based on the fabric to be stitched. The thread should blend with the fabric in colour, fibre and size.

For best results, silk and wool fabrics should be stitched with silk thread; cotton fabrics should be stitched with cotton or cotton mercerised thread, etc. The thread must be of a size that will imbed itself into the texture of the fabric. Thread that is too heavy for the fabric will remain on the surface and become weakened by friction and abrasion when worn.

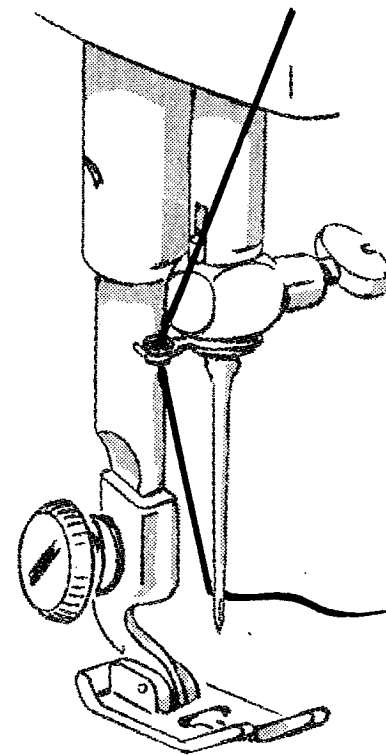
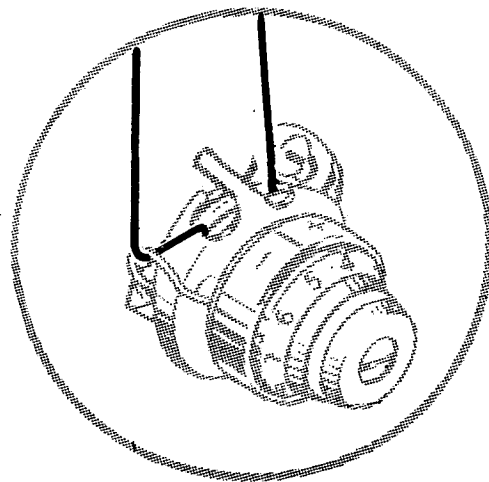
The selection of the needle should be based on both the fabric and thread being used. The eye of the needle must be large enough for the thread to pass freely through it. The blade of the needle must be fine enough not to mar the fabric with too large a puncture, yet heavy enough to pierce the fabric without binding or deflecting.

You will obtain best stitching results from your Sewing Machine if it is fitted with a **SINGER*** Needle.

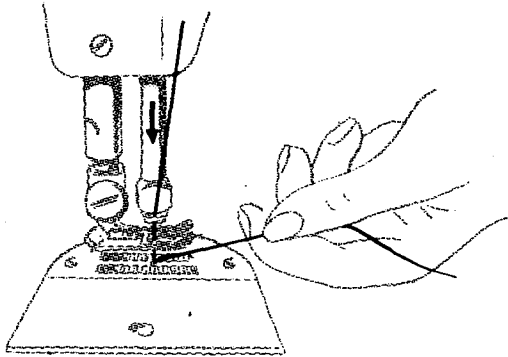
UPPER THREADING



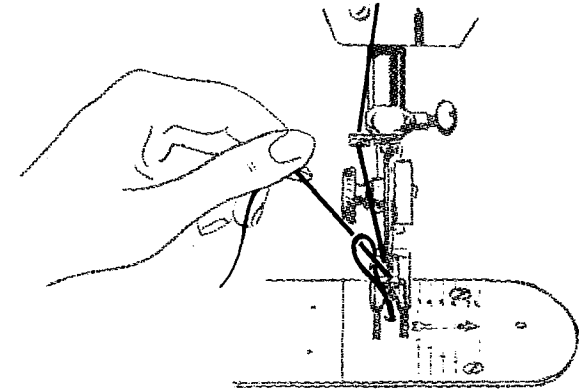
- Raise take-up lever to highest point.
- Place spool of thread on spool pin.
- Lead thread through threading points shown.
- Thread needle from left to right.
- Draw sufficient thread through eye of needle with which to start sewing.



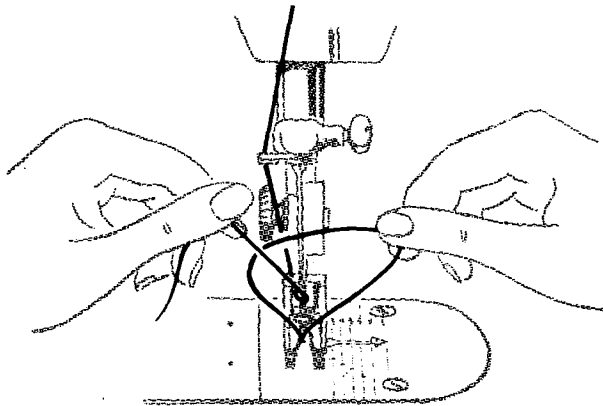
RAISING THE BOBBIN THREAD



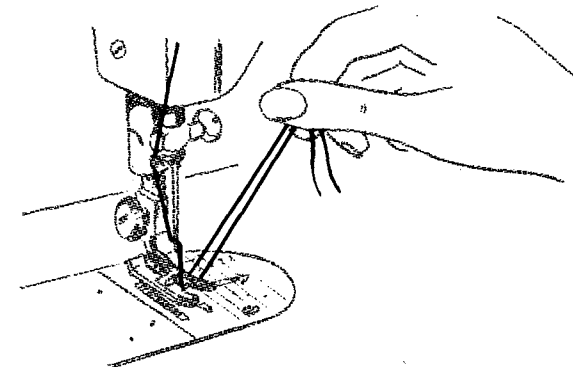
1 Hold needle thread lightly with left hand.



2 Turn hand wheel one complete turn so that needle enters plate and brings up bobbin thread.

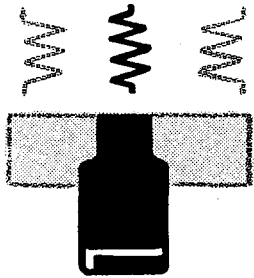


3 Pull end of bobbin thread up through throat plate.

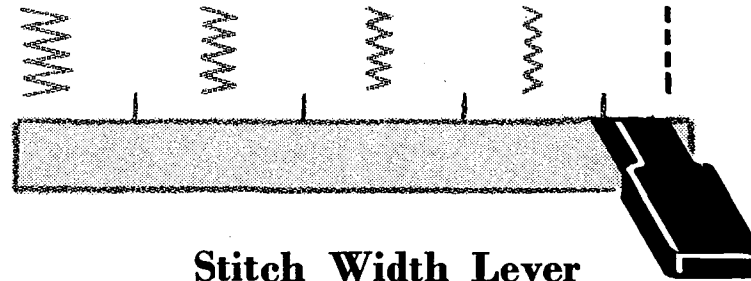


4 Place both needle thread and bobbin thread diagonally under presser foot.

STRAIGHT STITCHING POSITIONING THE NEEDLE



Needle Position Lever



Stitch Width Lever

Before setting the machine for any kind of stitching, turn the hand wheel toward you until the needle is above the throat plate.

Stitch Width Lever

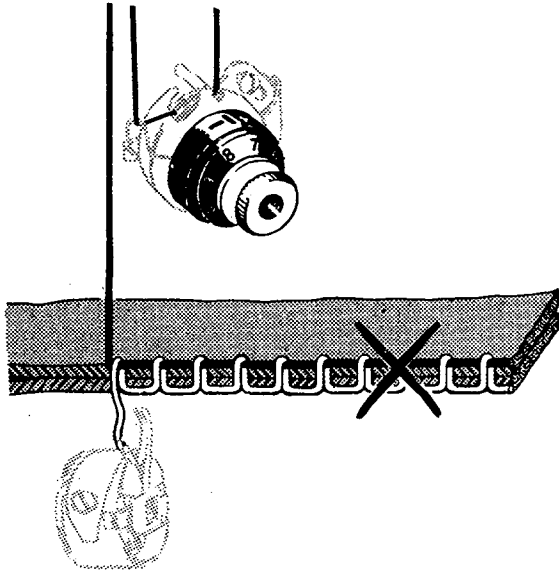
To set for straight stitching, press down on the stitch width lever and move it to the far right.

Needle Position Lever

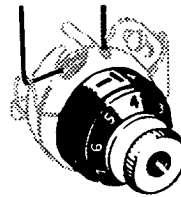
Press down on the needle position lever and move it to center position. This setting locates the needle in the center of the needle hole in the throat plate.

For instructions on setting stitch width and needle position for zig-zag stitching, see page 31.

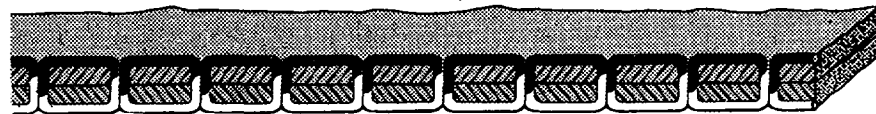
REGULATING NEEDLE - THREAD TENSION



- Needle thread tension too tight—correct by setting dial to lower number.

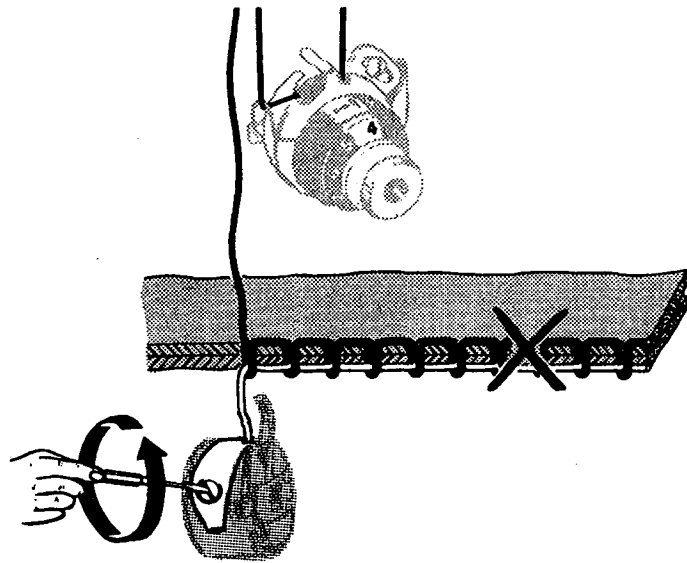


- Needle thread tension too loose—correct by setting dial to higher number.

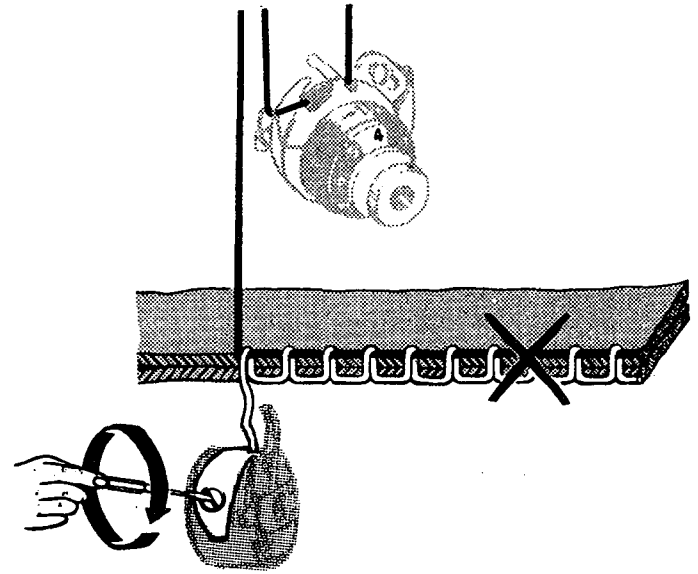


- A perfectly locked stitch results with upper and lower tensions balanced so that needle and bobbin threads are drawn equally into fabric.

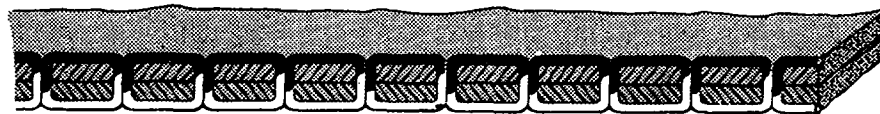
REGULATING BOBBIN - THREAD TENSION



- Bobbin thread tension too tight
—correct by turning screw counterclockwise.

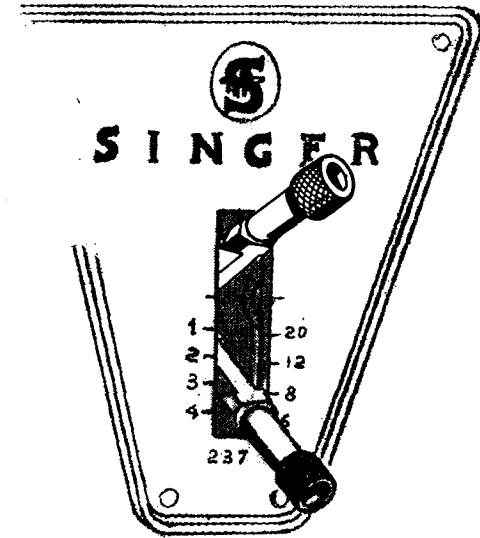
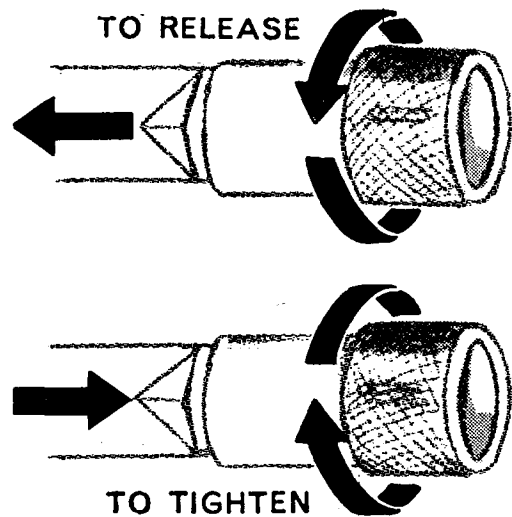


- Bobbin thread tension too loose
—correct by turning screw clockwise.



- A perfectly locked stitch results with upper and lower tensions balanced so that needle and bobbin threads are drawn equally into fabric.

REGULATING STITCH LENGTH



Numerals on the right side of the indicator represent number of stitches per inch. Numerals on the left side express stitch length in millimeters. The area between the numerals and the horizontal indicator line is used for the adjustment of zig-zag satin stitching. See page 32.

To Set Stitch Length

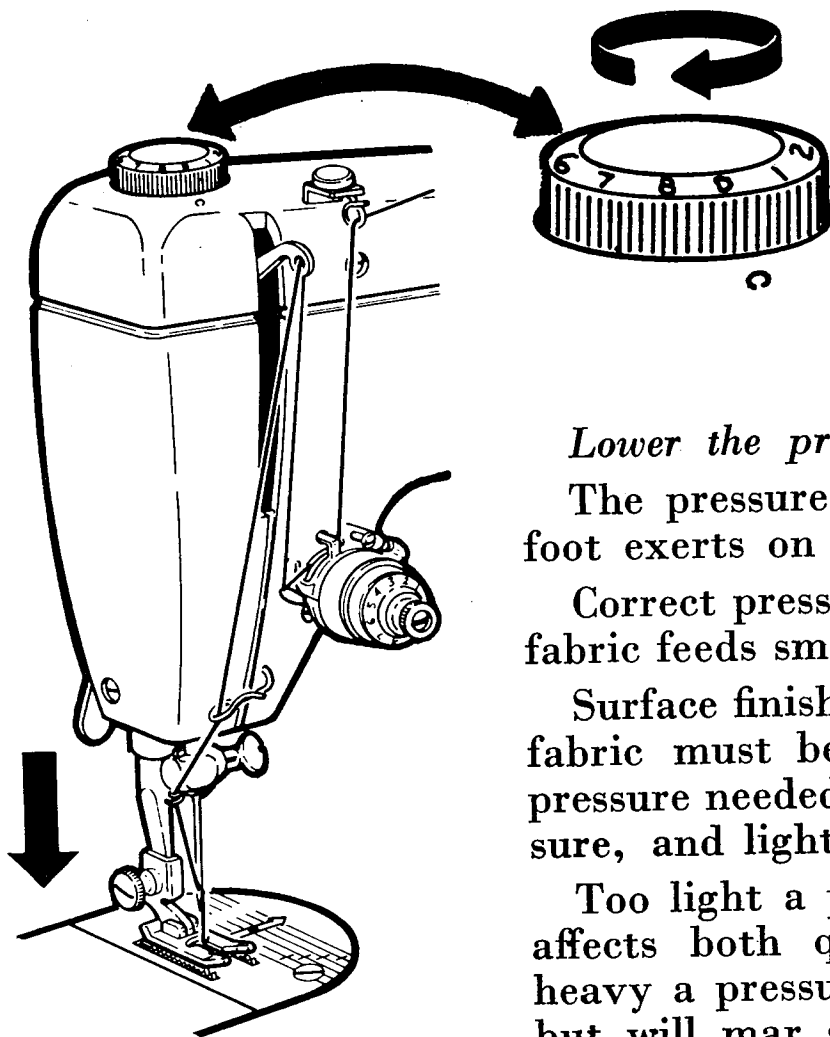
- Release pointer by turning thumb nut to the left.

- Position lever for desired stitch length.

- Tighten pointer by turning thumb nut to the right.

Once the pointer has been positioned, reverse stitching is accomplished by raising the lever to its highest point.

REGULATING PRESSURE



- To increase pressure, turn dial to a higher number.
- To decrease pressure, turn dial to a lower number.
- For darning, turn dial to **D**, which releases pressure and permits darning without an embroidery hoop.

Lower the presser foot before adjusting pressure.

The pressure dial regulates the pressure that the presser foot exerts on the fabric.

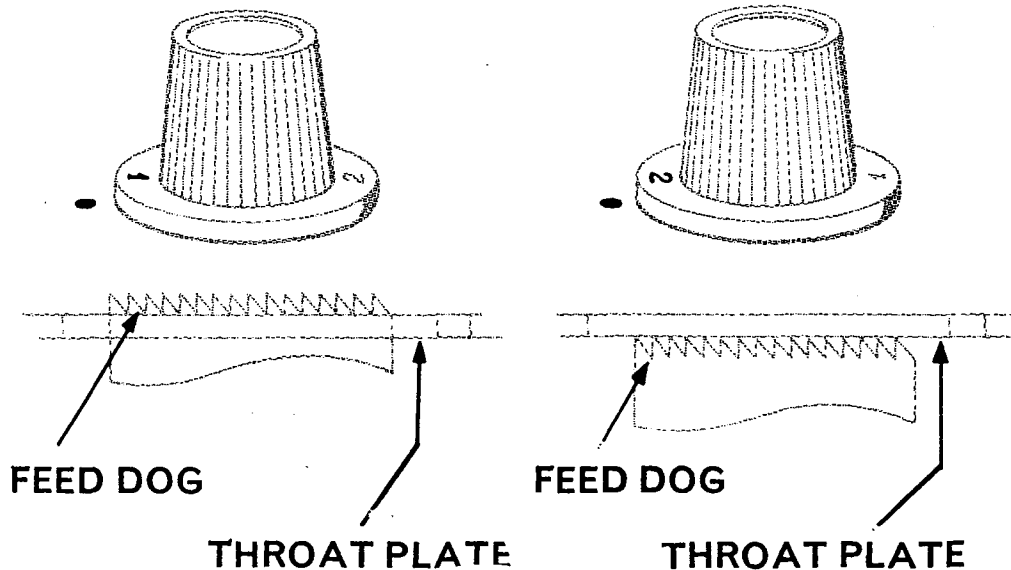
Correct pressure is important because it means that the fabric feeds smoothly, and evenly without being marred.

Surface finish, as well as the weight and texture of the fabric must be considered in determining the amount of pressure needed. Generally, heavy fabric requires heavy pressure, and light weight fabric, light pressure.

Too light a pressure will result in irregular feeding which affects both quality of stitch and evenness of seams. Too heavy a pressure not only affects stitch and seam quality, but will mar smooth surfaces and pile fabrics.

NOTE: As a general rule, the heavier the fabric, the greater the pressure required.

REGULATING FEED HEIGHT



The feed regulating knob controls the height of the feed dog. It has two numbered settings.

Number 1 setting is used for sewing. The feed is raised above the throat plate and moves the fabric.

Number 2 setting is used for darning, free-motion embroidery and button sewing.

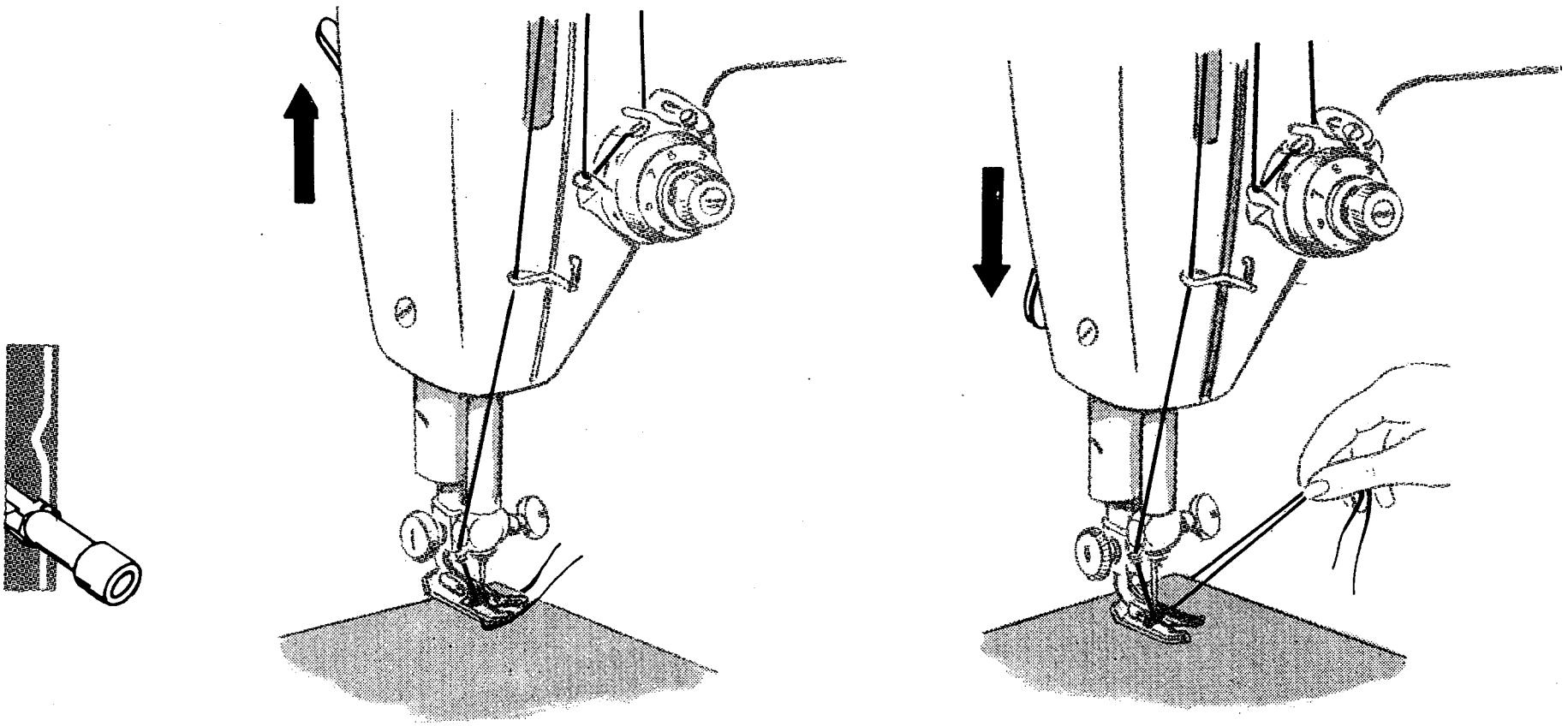
The feed is lowered below the throat plate and does not move the fabric.

Raise the presser foot before setting knob.

- To drop the feed, rotate knob clockwise from 1 to 2.
- To raise the feed, rotate knob counter clockwise from 2 to 1.

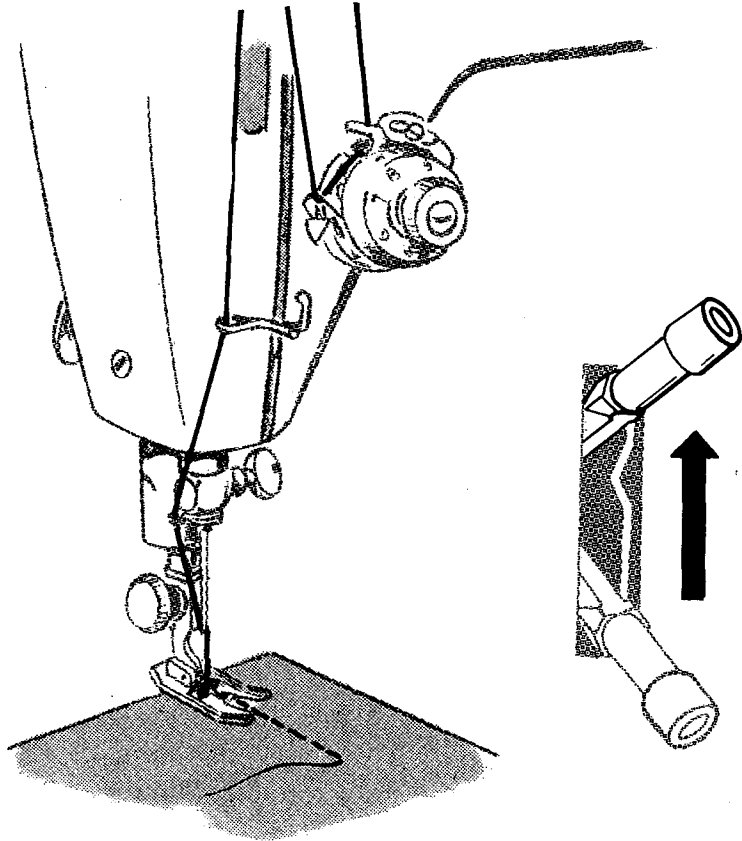
SEWING A SEAM

- Set stitch regulator for desired stitch length.
- Position needle into fabric a short distance from edge.
- Lower presser foot.

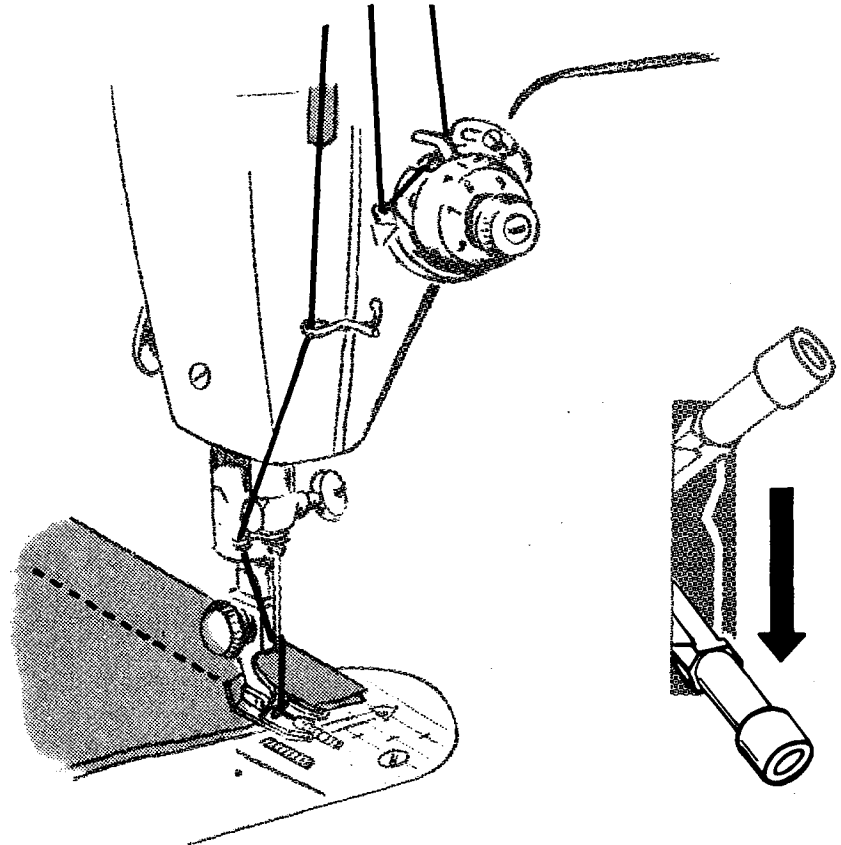


SEWING A SEAM (Cont'd)

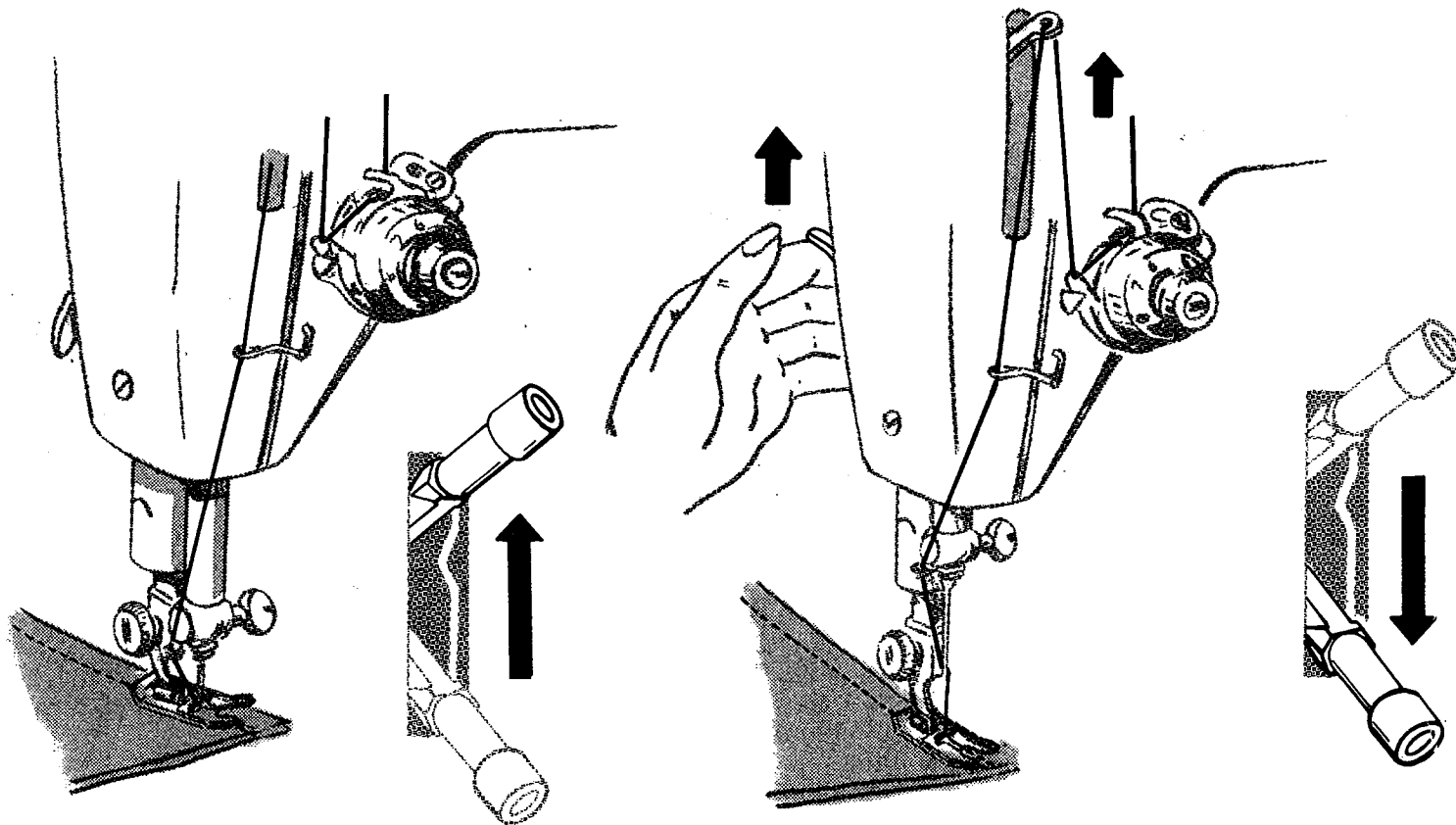
- Raise stitch length regulator as far as it will go to reverse stitching position and backstitch to edge of fabric for reinforcement.



- Lower stitch length regulator to forward stitching position.
- Stitch to end of seam.

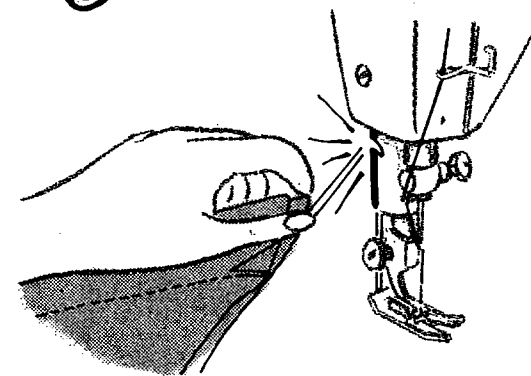


SEWING A SEAM (Cont'd)

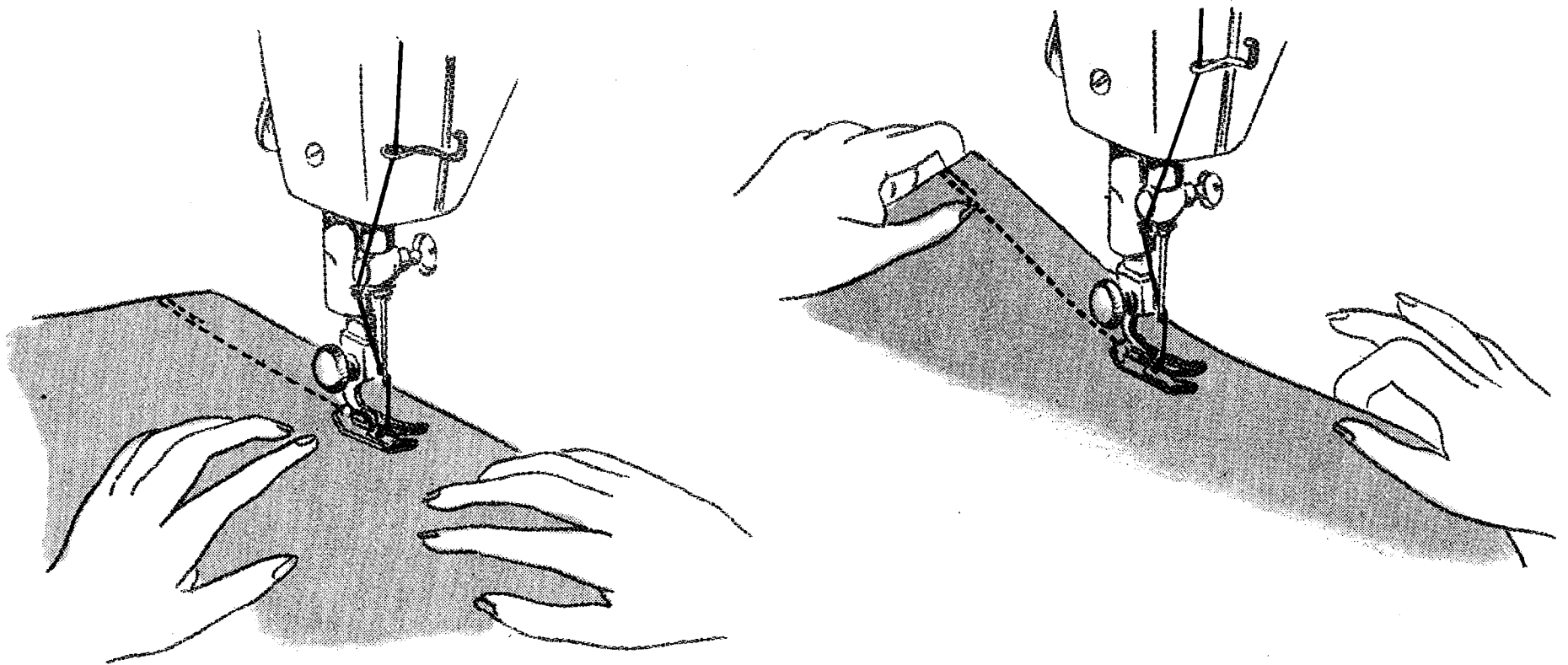


- Raise stitch length regulator and backstitch to reinforce end of seam.
- With take-up lever at highest point raise presser foot,

- and remove fabric by drawing straight back.
- Cut threads, on thread cutter.
- Re-set stitch length regulator for forward stitching.



GUIDING AND SUPPORTING FABRIC

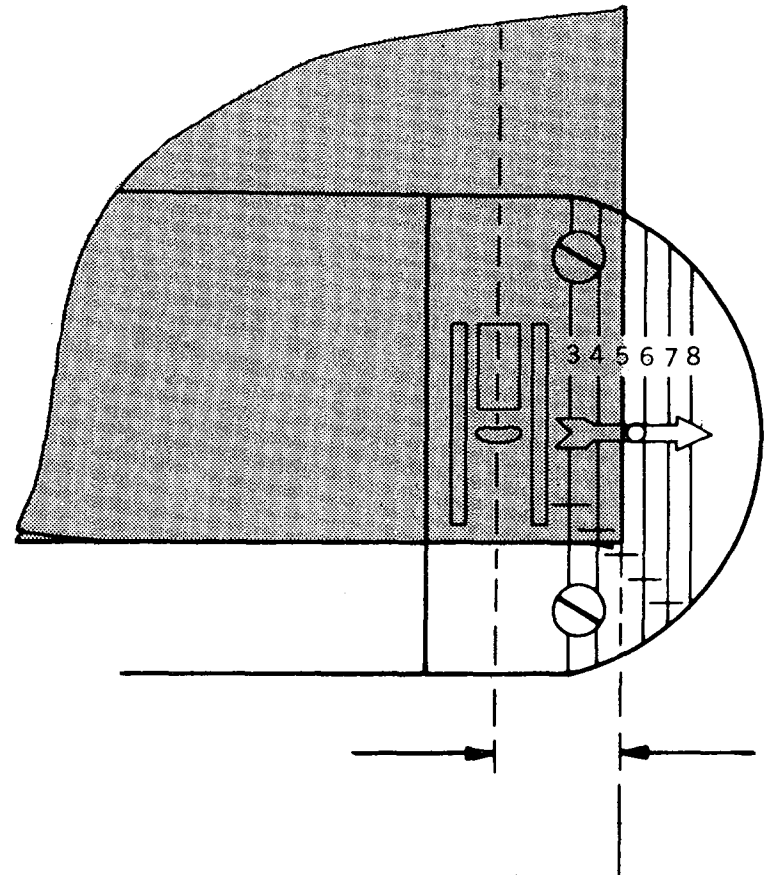


- Most fabrics need only to be guided in front of the presser foot.
- Fabrics of unusual texture and weave, filmy sheers, crepes, knits, etc., require support while being stitched. For such fabrics apply a gentle tension by holding seam in front and back of the presser foot as illustrated.

KEEPING THE SEAM STRAIGHT

Use one of the numbered lines on the throat plate as a guide to keep the seam straight. If you want a $\frac{5}{8}$ inch (15 mm) seam, for example, line up your fabric with line 5 as shown. Crosslines serve as guides when turning square corners.

The arrow on the throat plate indicates the direction in which the needle is threaded.

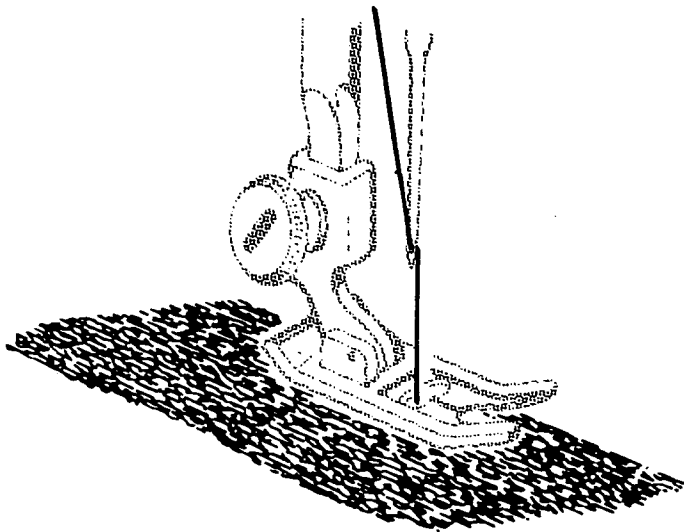


DARNING WITHOUT AN EMBROIDERY HOOP

Stitch: Straight

Needle Position: Centre

- Set pressure dial on D, and rotate the feed regulating knob from 1 to 2 and
- Set the stitch length lever on its neutral position.
- If the area to be darned is open, baste an underlay in place.



- Place area to be darned under presser foot.
- Lower presser foot and start stitching alternately drawing the fabric gently toward you and pulling it gently away from you.
- Continue this forward and backward motion as you fill the area with parallel line of stitching.
- For additional strength, turn the fabric and cover area with crosswise lines of stitching.

For instructions on darning with an embroidery hoop, see page 39.

ZIG-ZAG STITCHING

Setting Stitch Width And Needle Position

Stitch Width Lever

The width of zig-zag stitching is controlled by the Stitch Width Lever. As the Stitch Width Lever is moved to the left, the width of the zig-zag stitch is increased.

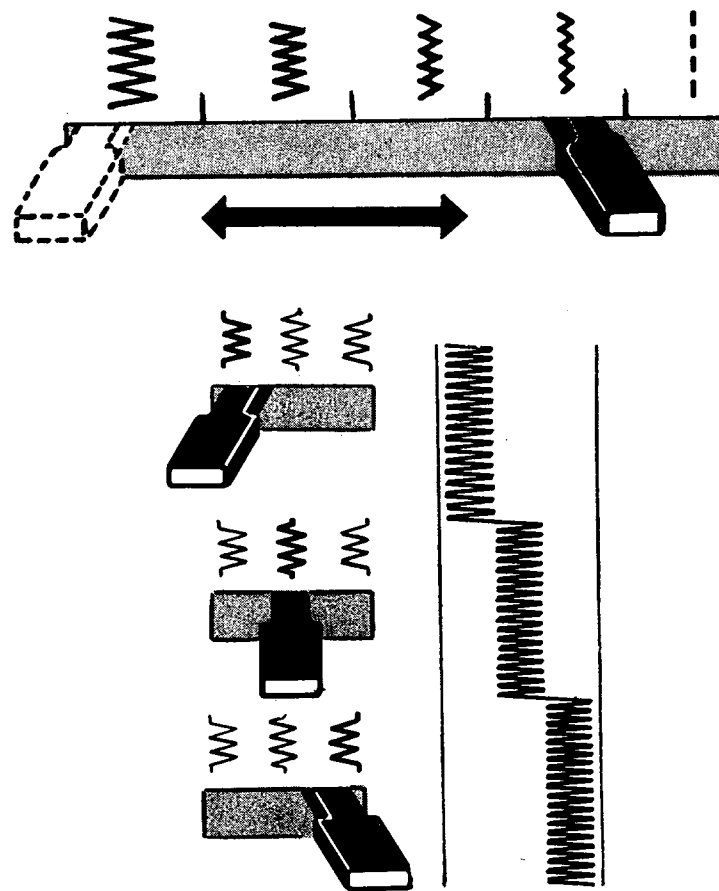
To set stitch width, push down on the lever, slide to desired position, and release.

Needle Position Lever

The Needle Position Lever places the needle in left, centre, or right stitching position. Centre position is used most often, left and right settings are for special stitch placement. For example: A left setting is required for buttonholing.

To set needle position, push down on the lever, slide to desired position, and release.

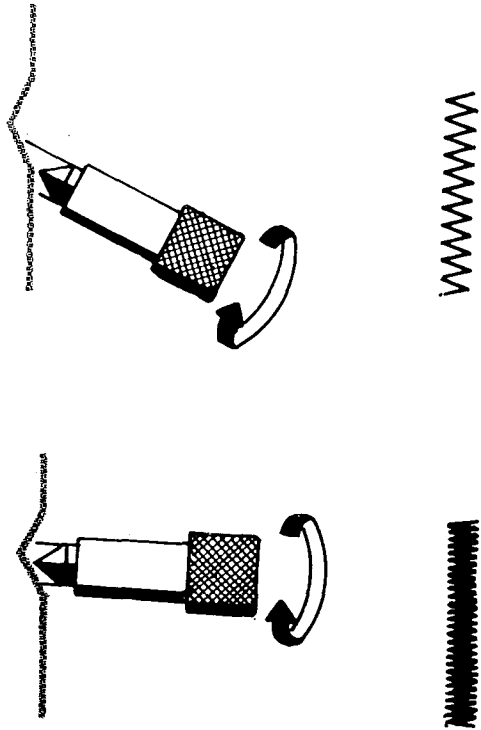
Be sure to raise the needle above the throat plate and fabric before changing the stitch width and needle position.



ZIG-ZAG STITCHING (Cont'd)

Regulating Stitch Length

When preparing to do zig-zag stitching, make a test sample with the fabric and thread you plan to use so you can adjust stitch length properly.



Open Zig-Zag Stitching

Choose any stitch length from 6 to 20 (1-4 mm), depending on how open the stitches need to be.

Satin Stitching

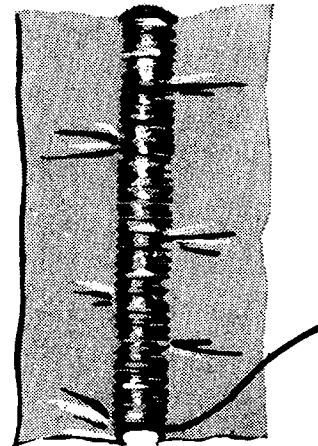
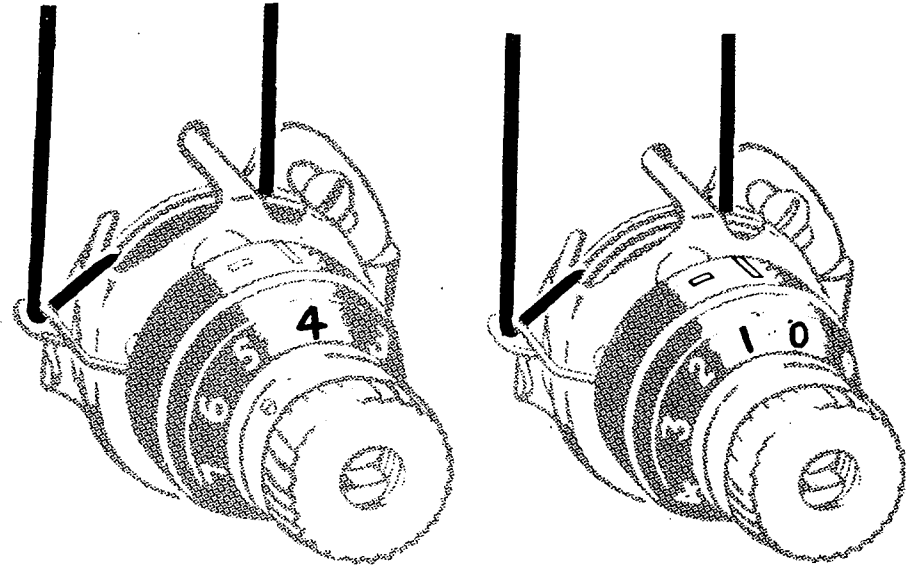
Satin stitching is a series of closely spaced zig-zag stitches used for button-holes and decorative work.

- Move the stitch length lever above 20 (1 mm).
- Run machine at slow speed.
- Gradually tighten thumb nut by turning to right, until stitches are closely spaced and form a smooth surface. As the thumb nut is tightened, the stitch length lever is raised.

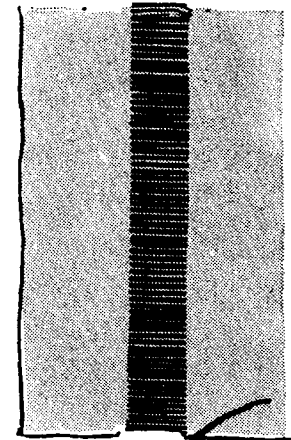
REGULATING NEEDLE - THREAD TENSION

All zig-zag stitching requires less needle-thread tension than straight stitching; and satin stitching requires even less tension than open zig-zag stitching.

Stitches should lie flat against the fabric without being too taut or causing the fabric to pucker. If the stitches are not flat and the fabric is puckering, lower the needle-thread tension by turning the dial to a lower number.

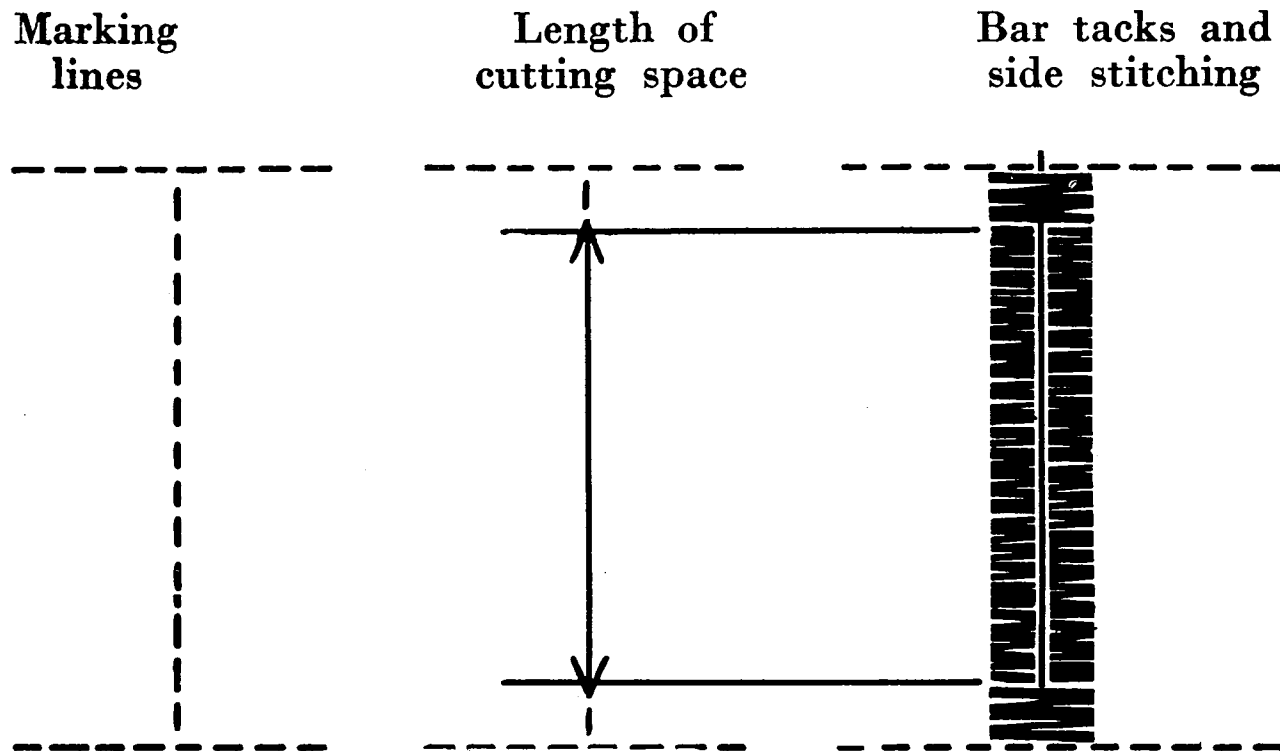


Incorrect



Correct

Satin stitching

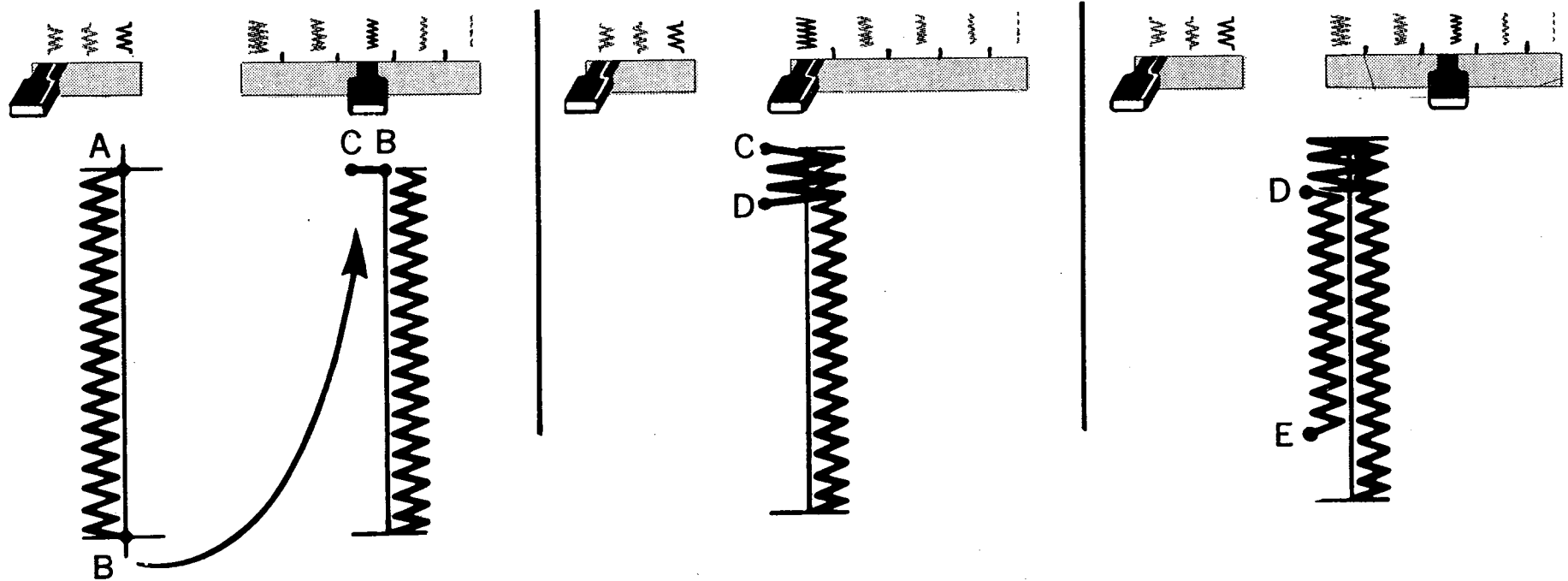
BUTTONHOLES**NEEDLE POSITION: LEFT - STITCH LENGTH ABOVE 20**

The length of cutting space, the opening through which the button passes, is measured by the width and thickness of the button.

The length of the finished buttonhole will be the cutting space plus 1/8 inch for bar tacks.

Work a sample buttonhole in the same fabric as the garment. Use a double fold, duplicating a facing, and include interfacing if this has been used.

BUTTONHOLES (Cont'd)



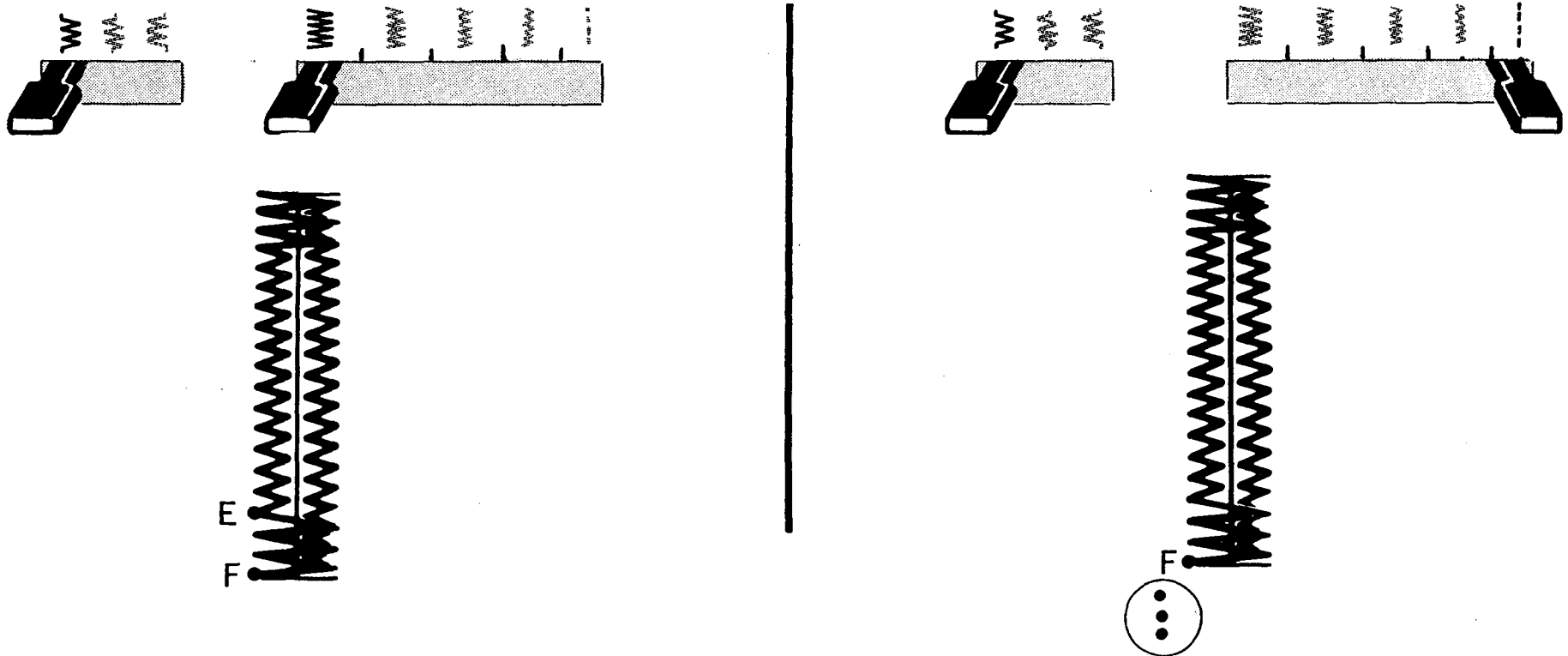
Procedure: Set needle Position Lever at left and Stitch Width Selector at medium for side stitching. Place Work under needle, aligning centre marking of buttonhole with centre of presser Foot.

Side stitching: Position Needle in fabric at point A. Lower presser foot and stitch to end of marking. Leave Needle in fabric at B. Raise Foot and pivot work on needle. Lower Foot and take one stitch without changing lever setting, bringing work to center.

Bar Tack: Set Stitch Width Lever at maximum amplitude for tacks and take six stitches to complete tack.

Side stitching: Move Stitch Width Lever back to center and stitch to point E. Point E is approximately six stitches from end of buttonhole.

BUTTONHOLES (Cont'd)



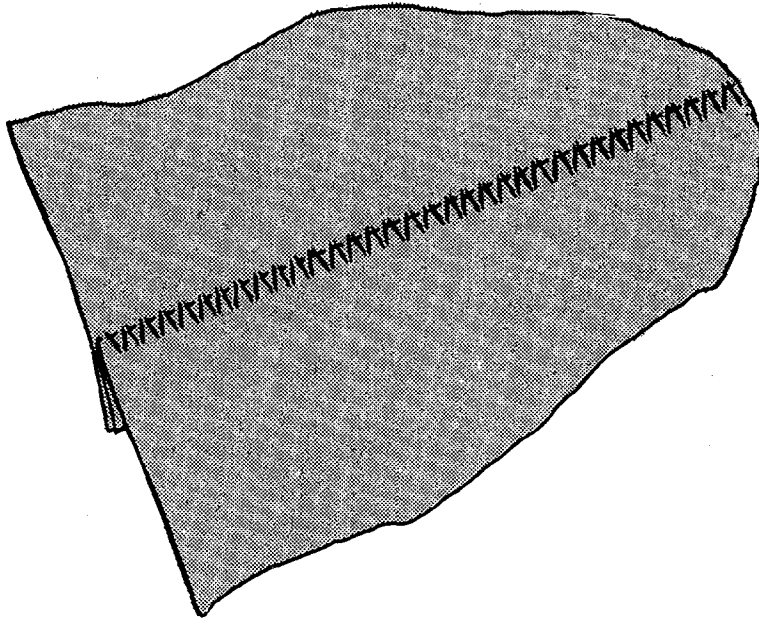
Final bar tack: Move Stitch Width Lever to maximum width and duplicate tack previously made. End at point F.

Fastening Stitch: To secure stitching, move Stitch Width Lever to right and take three stitches.

Remove work, draw threads to underside, and trim. Cut opening for button with sharp embroidery scissors.

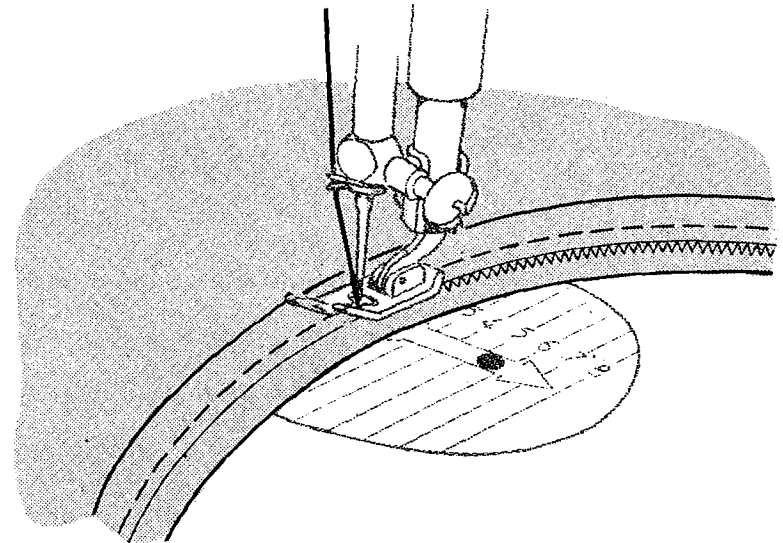
ZIG-ZAG APPLICATIONS

LINGERIE SEAMS



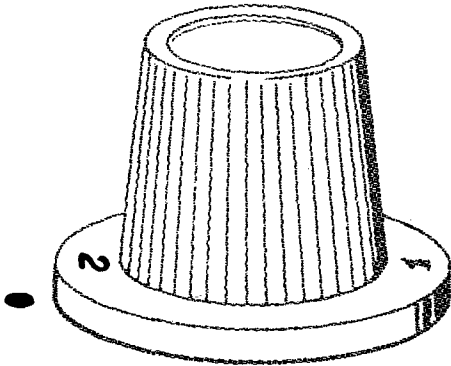
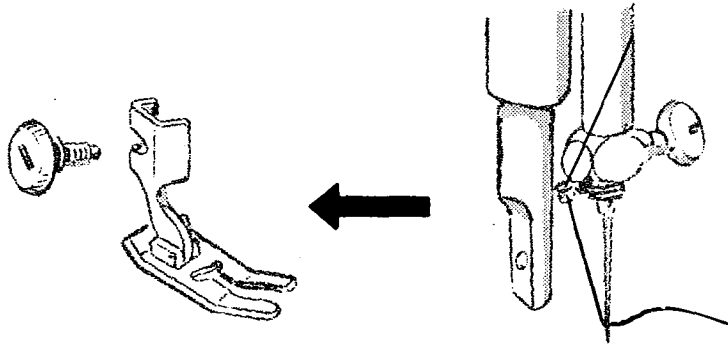
Dainty lingerie seams are made durable with zig-zag stitching. After straight stitching seam on wrong side, press both seam allowances in same direction. From right side, top stitch with a fine zig-zag setting, letting needle alternately enter seam line and seam thickness. This finish is particularly suitable for bias seams.

KNIT FABRIC SEAMS



A narrow zig-zag stitch is ideal for seaming knit fabrics. It is particularly suitable for underarm seams, or other seams, where elasticity and give are needed. For curved or bias seams, where a stay is needed to prevent undue stretching, this same stitch can be used to apply seam tape.

FREE MOTION STITCHING



**Feed regulating knob set on 2
for free motion stitching**

For free motion stitching the presser foot is removed and the movement of the fabric controlled by means of an embroidery hoop. Either straight or zig-zag stitch settings can be used. Because the work can be moved in any direction free motion stitching is particularly useful for darning and embroidery work.

Preparation:

- Raise the presser bar and remove the presser foot.
- Drop the feed by setting the feed regulating knob at 2 and set stitch length lever on its neutral position.
- Set the machine for straight or zig-zag stitching.

When you have finished darning or embroidering, raise the presser bar, re-set the feed regulating knob at 1 for regular sewing and attach the presser foot.

FREE MOTION STITCHING (Cont'd)

DARNING

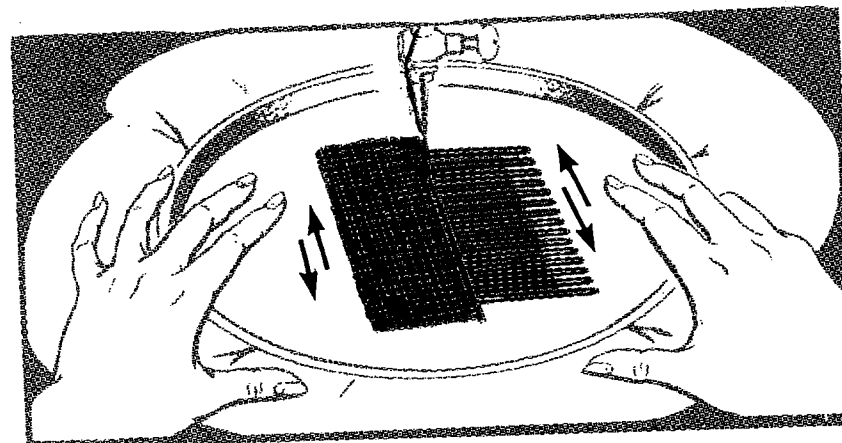
Stitch: Straight

Needle Position: Centre

Feed Regulating Knob: 2.

Stitch Length Lever: Neutral Position

- Trim ragged edges from area to be darned and centre worn section in embroidery hoop
- Remove presser foot and set machine selectors as listed above.
- Position work under needle and lower presser bar to engage tension.
- Hold needle thread loosely with left hand, turn hand wheel toward you, and draw bobbin thread up through fabric. Hold both thread ends and lower needle into fabric.



- Outline area to be darned with running stitches for reinforcement. Place stitches about 1/4" from edge of open area.
- Stitch back and forth across opening, moving hoop under needle with a steady continuous movement. Keep lines of stitching closely spaced and even in length.
- When opening is filled, turn work and cover area with cross-wise lines of stitching.

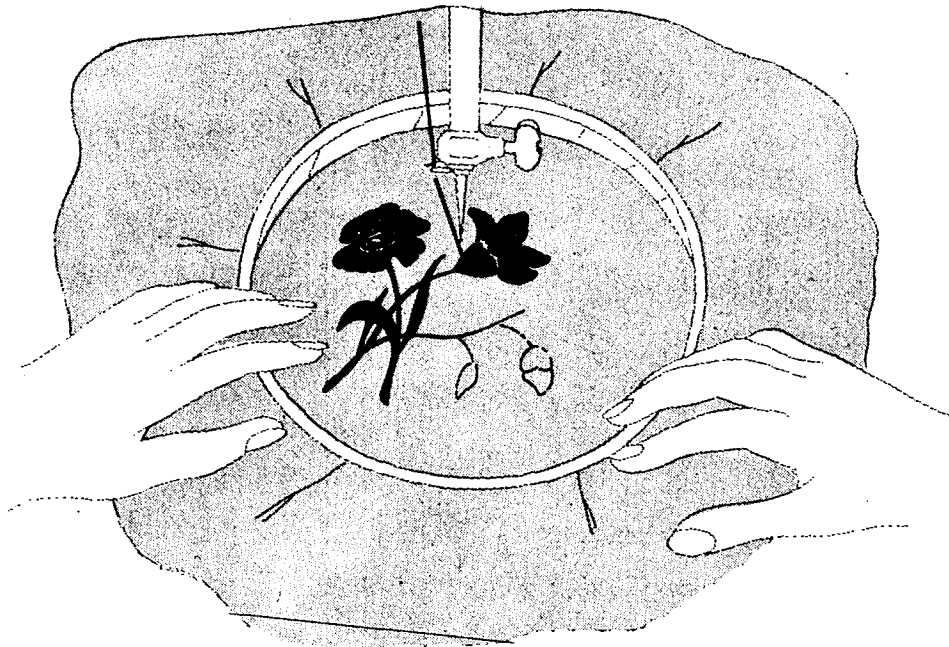
FREE MOTION STITCHING (Cont'd)

EMBROIDERY

Needle Position: Centre

Feed Regulating Knob: 2

Stitch Length Lever: Neutral Position



Decorative designs of many kinds can be effectively accomplished with zig-zag stitching when the free motion principle is used.

The design is placed in an embroidery hoop to hold the fabric taut; the hoop is moved slowly so that the needle follows the outline of the design. Stitches can be shaded from wide to narrow by controlling the angle at which the work is placed and moved under the needle.

Always make a test sample to find the right stitch width settings and spacing.

FREE MOTION STITCHING (Cont'd)

SCRIPT LETTERING

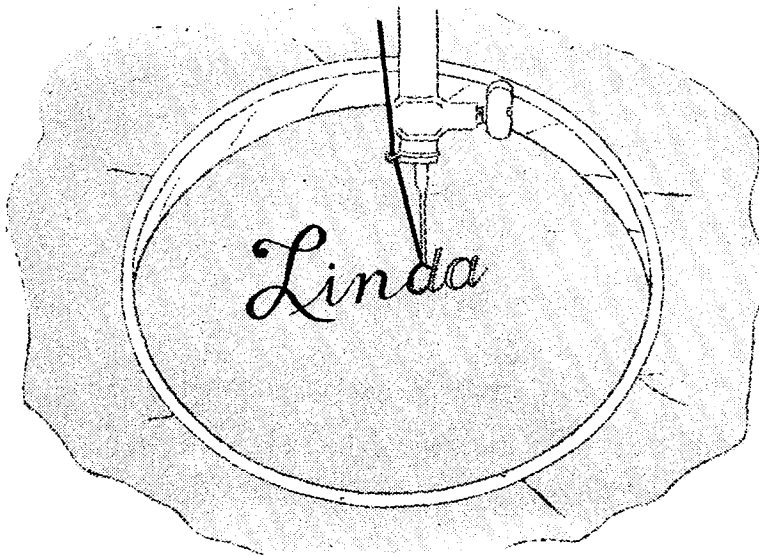
Stitch: Zig-zag

Needle Position: Centre

Feed Regulating Knob: 2

Stitch Length Lever: Neutral Position

If you wish to embroider a whole name on a child's dress or shirt for example, you can do so by free motion stitching.



- Remove presser foot and set machine selectors as listed above.
- Trace or mark lettering on right side of fabric; add an underlay of crisp lawn or organdy if fabric is soft or loosely woven.
- Place work in an embroidery hoop and position under needle. Lower presser bar to engage tension.
- Turn hand wheel toward you to bring bobbin thread up through fabric at start of design. Hold both thread ends and lower needle into fabric.
- Stitch, following outline of lettering, moving hoop under needle with a steady continuous movement so that stitches are uniformly spaced.

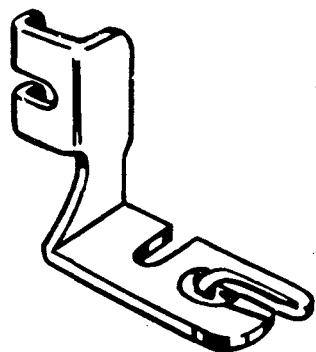
Instructions for using ATTACHMENTS . . .



Those attachments which are not furnished with your machine are available for purchase at your local SINGER SEWING CENTRE OR AUTHORIZED SINGER DISTRIBUTOR.

THE FOOT HEMMER

HEMMING



The narrow hemmer forms and stitches a perfectly turned hem without basting or pressing. It is attached to machine in place of regular presser foot.

Stitch: Straight

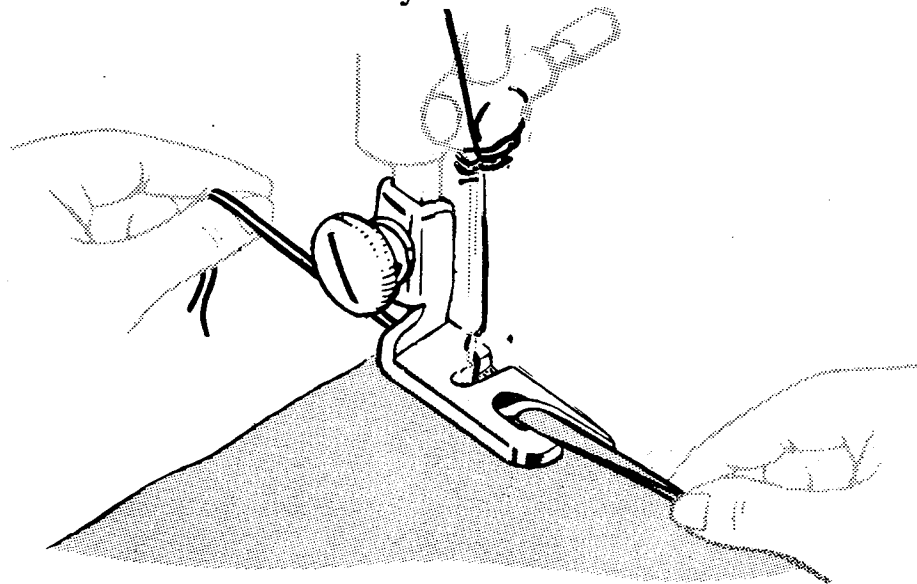
Needle Position: Centre

- Form a double 1/8" fold at edge of fabric, crease fold for about 2". Draw bobbin and needle threads under hemmer. Place fabric under foot and stitch through creased fold for several stitches.
- Hold thread ends in left hand and guide raw fabric edge in front of hemmer evenly into scroll. Sew slowly, still holding thread ends until hem is well started. Feed material evenly into hemmer scroll.

APPLICATIONS

Fine Hems
Edging Ruffles
Hemmed Seams

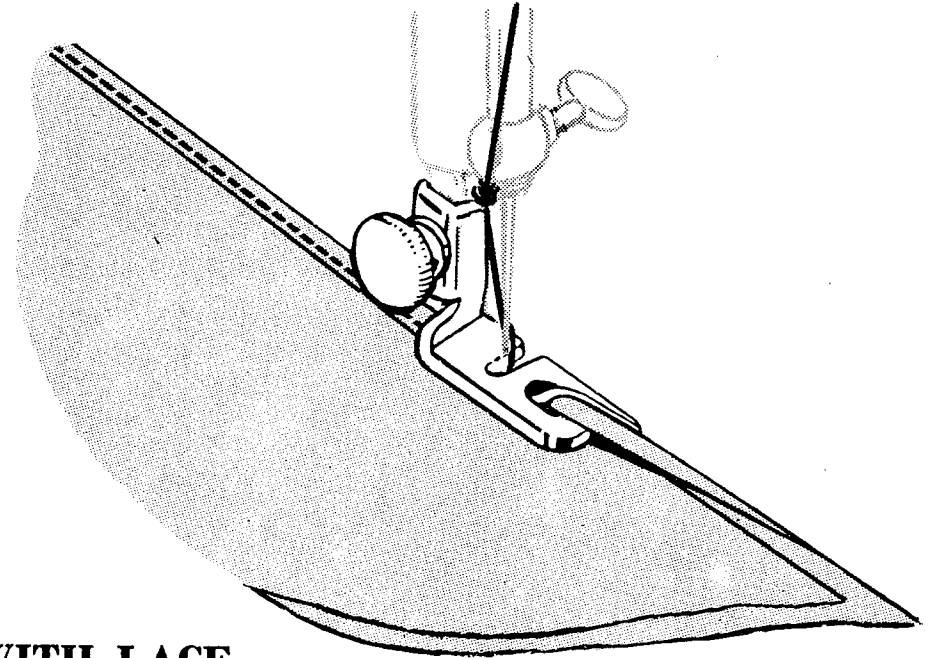
Hemming with Lace
Lace Insertion
Lingerie Finishes



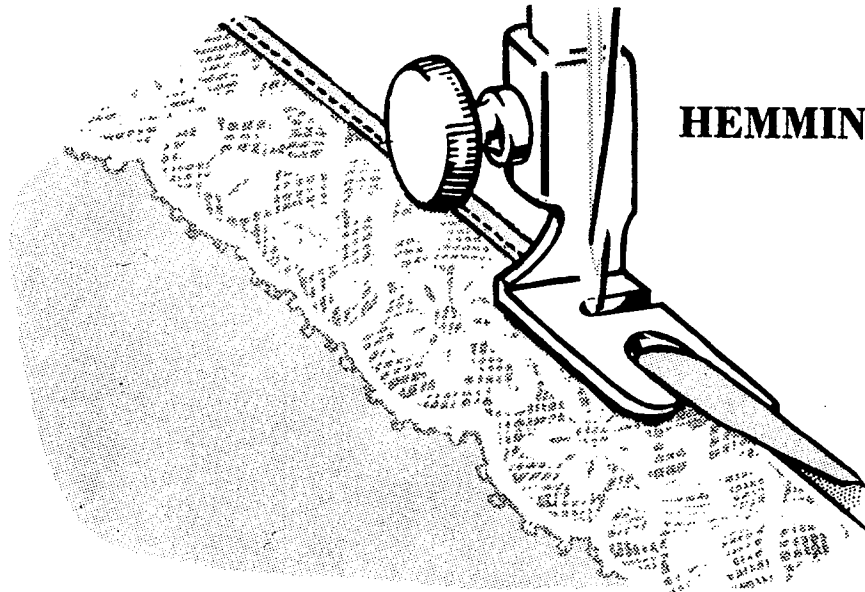
HEMMED SEAMS

Hemmed seams are appropriate where a fine narrow seam is desired.

- Allow a scant $\frac{1}{4}$ " seam allowance.
- With right sides of fabric together, place upper layer $\frac{1}{8}$ " to left of lower layer.
- Insert two fabric edges into hemmer and proceed as for plain hem.



HEMMING WITH LACE

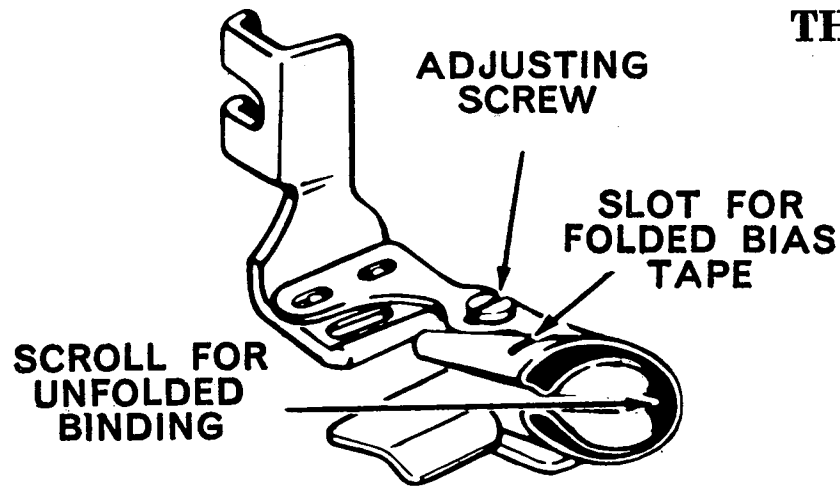


Proceed the same way as when making a hemmed seam.

- Slip lace in from left as you would the second piece of fabric.

This method is used where a neat finish is desired on both sides of the material.

THE BINDER



Stitch: Straight or zig-zag
Needle Position: Centre

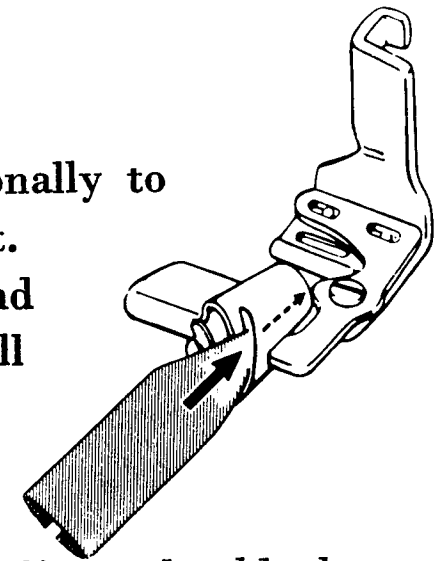
The binder is used to apply commercial as well as self-fabric bias to an unfinished edge.

This colourful trim is attractive when applied to children's wear, aprons and household textiles. It is a practical finish for seam edges that ravel and for making bound seams.

Inserting the Binding

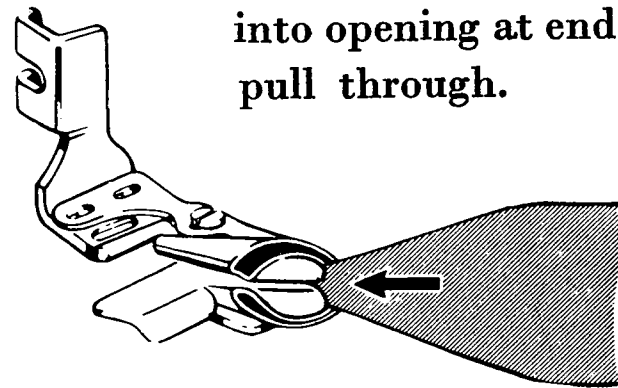
Commercial single fold bias tape is inserted from the right slot in binder scroll.

- Cut binding diagonally to form a long point.
- Insert pointed end into slot and pull through scroll.



Self-fabric bias binding should be cut 15-16 Inch wide on true bias.

- Insert unfolded binding directly into opening at end of scroll and pull through.

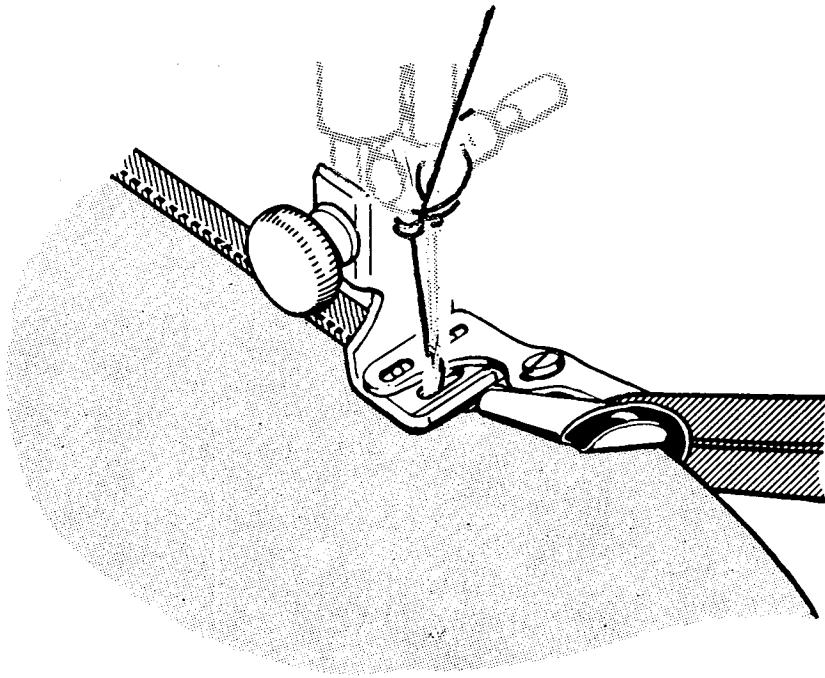


As binding passes through scroll, the raw edges are turned in.

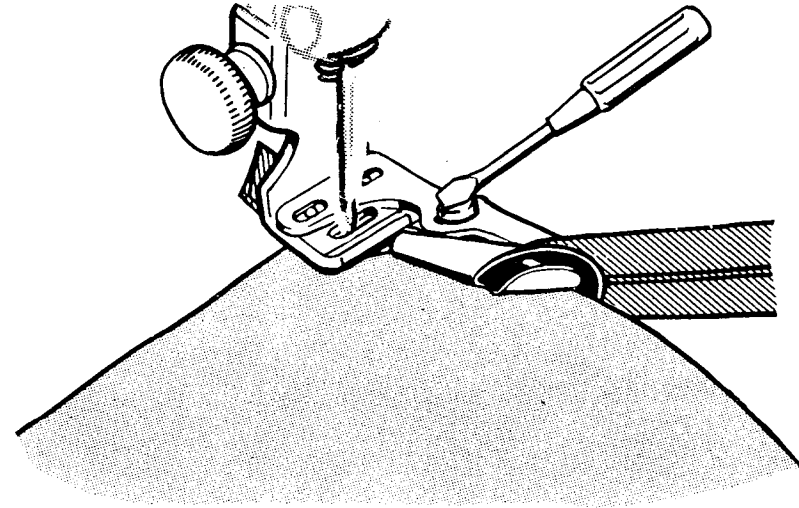
THE BINDER (Cont'd)

Procedure

- Attach binder to presser bar in place of regular presser foot.
- Pull binding through scroll until evenly folded edges are under needle.
- Insert edge to be bound into centre slot of scroll.
- Position needle, lower presser bar and stitch.



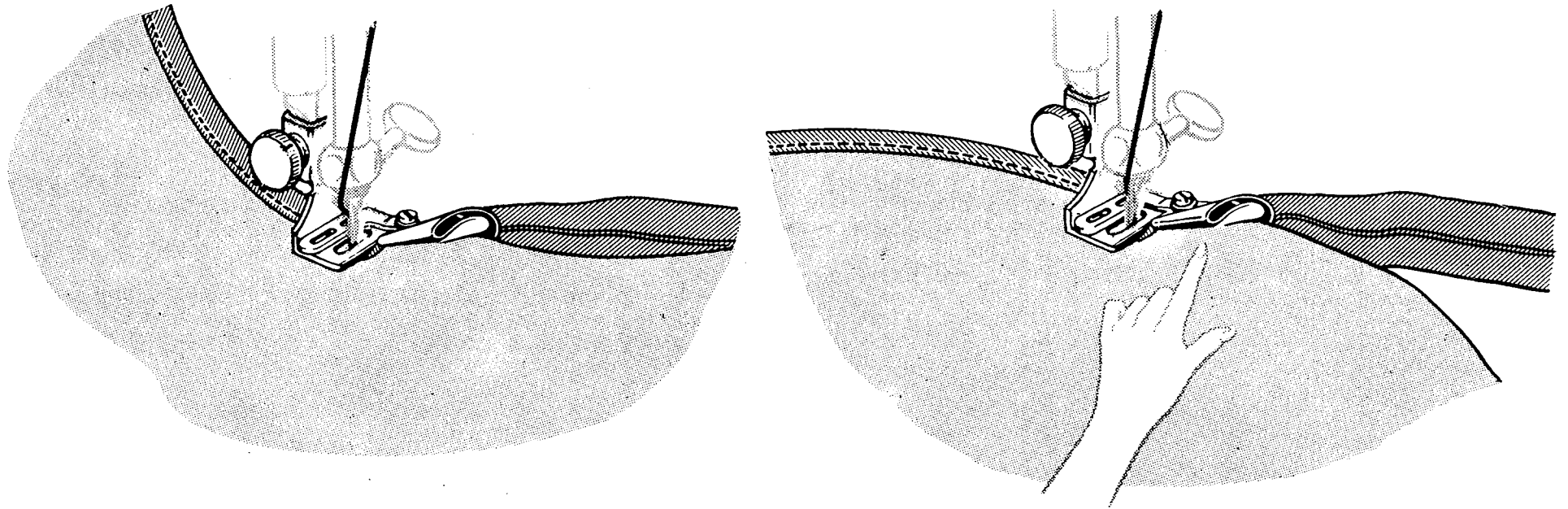
To adjust binder



Stitching is positioned in relation to binding edge by adjustment of binder scroll.

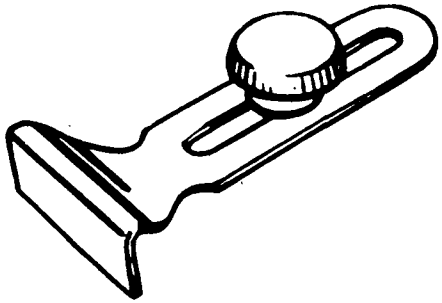
- Loosen adjusting screw.
- Move scroll to right or left as necessary.
- Tighten adjusting screw.

Never pull binding as it feeds through scroll. Allow attachment to do the work. Merely guide edge to be bound into centre of scroll as you stitch.

BINDING CURVED EDGES

- Curved edges require slightly different fabric handling from straight edges. Inside curves are straightened as they are fed into binder. If fabric is soft and has a tendency to stretch, reinforce edge with a single row of stitching before binding.
- Outside curves tend to lead away from centre slot of scroll and should be guided so that a full seam width is taken at needle point. Do not attempt to pull or straighten fabric into full length of scroll.

THE SEAM GUIDE



The seam guide aids in attaining uniformity of seam width. It provides for stitching to be placed at any distance between 1/8" to 1-3/8" from edge of fabric.

APPLICATIONS

Seams

Stay Stitching

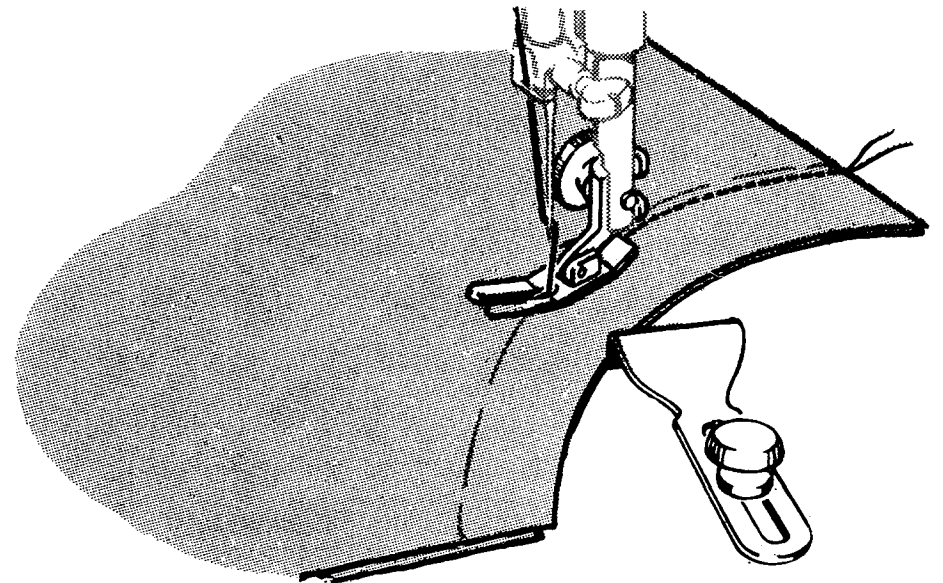
Top Stitching - Single
or Multiple Rows

The seam guide is used in connection with a presser foot. It is secured to bed of machine in either of threaded holes to right of needle.

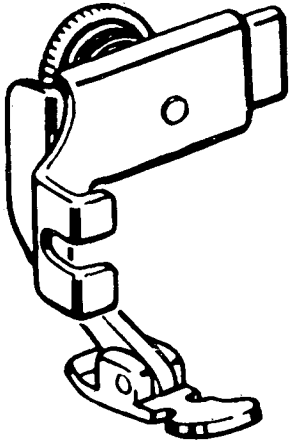
SEAMS

For straight seams. Align guide with presser foot. Pin seam edges and baste if necessary. Guide fabric edges lightly against guide while stitching.

For curved seams: Set attachment at an angle so that end closest to needle acts as a guide. Shorten stitch length for greater elasticity and strength.



THE ZIPPER FOOT



This foot is designed to facilitate the placement of stitching close to a raised edge. The hinged feature of this foot insures even feeding over pins, heavy layers of fabric or seams. It is attached to the machine in place of the regular presser foot, and may be adjusted to either the right or left of the needle.

APPLICATIONS

Zipper Insertions
 Tubular Cording
 Corded Seams
 Slip Cover Welting

Preparation

- Secure zipper foot to presser bar as you would the regular presser foot.

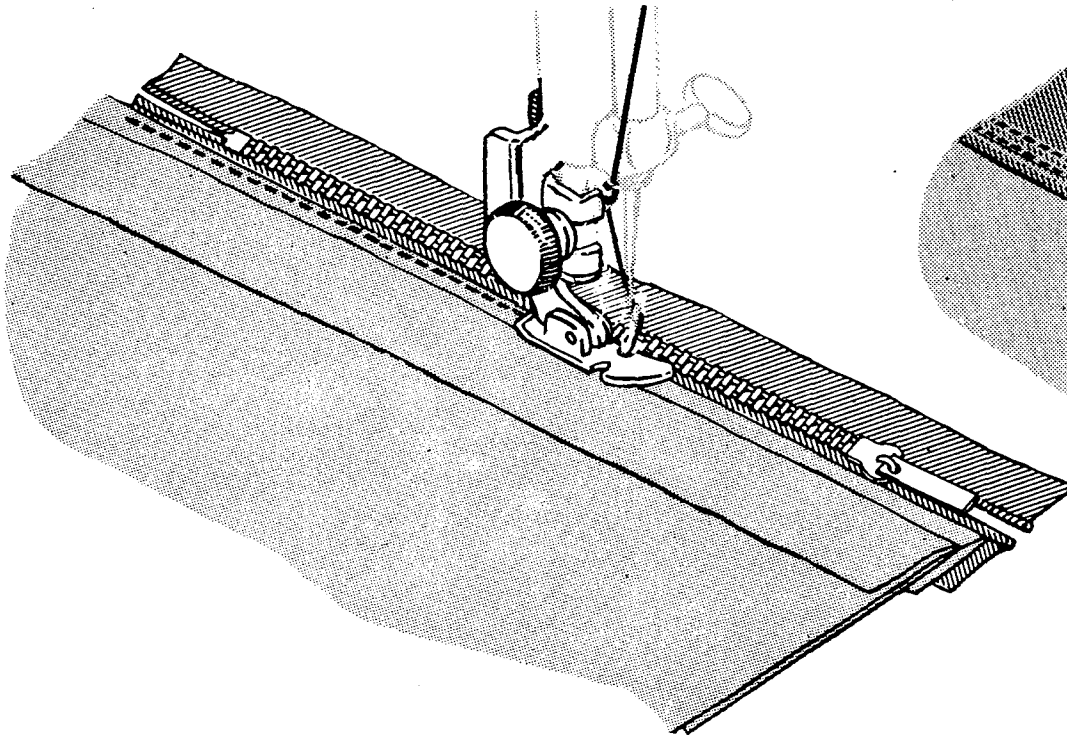
Adjustment to right or left of needle is made by loosening thumb screw at back of foot.

With foot down, check position of foot by lowering needle into side notch, making sure it clears foot.

Lock into position by tightening thumb screw.

THE ZIPPER FOOT (Cont'd)

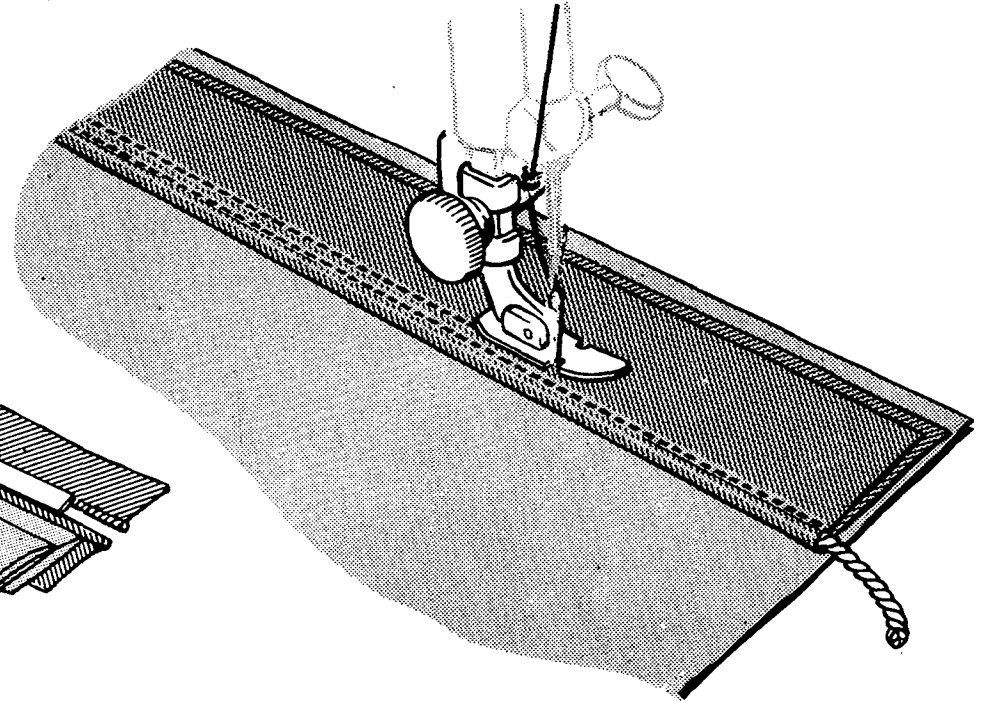
Zipper Insertion



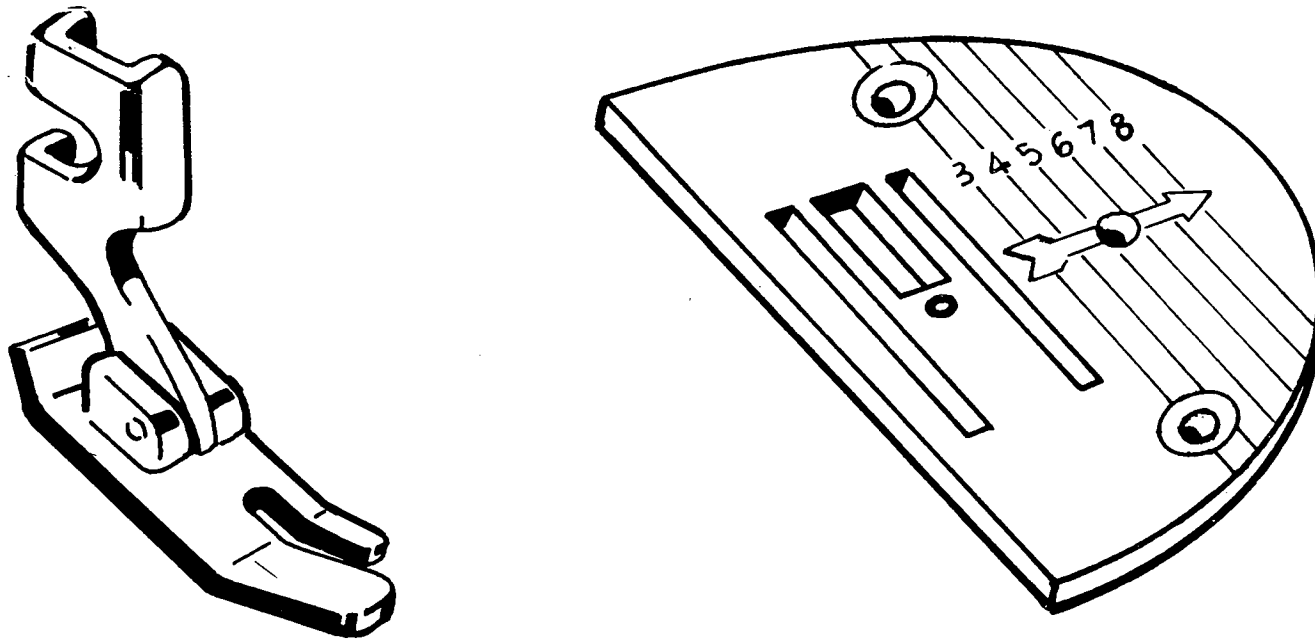
Stitch: Straight:
Needle Position Centre

Several methods are used to insert a zipper and in any method used, the zipper foot enables you to form an even line of stitching close to the zipper.

Corded Seams

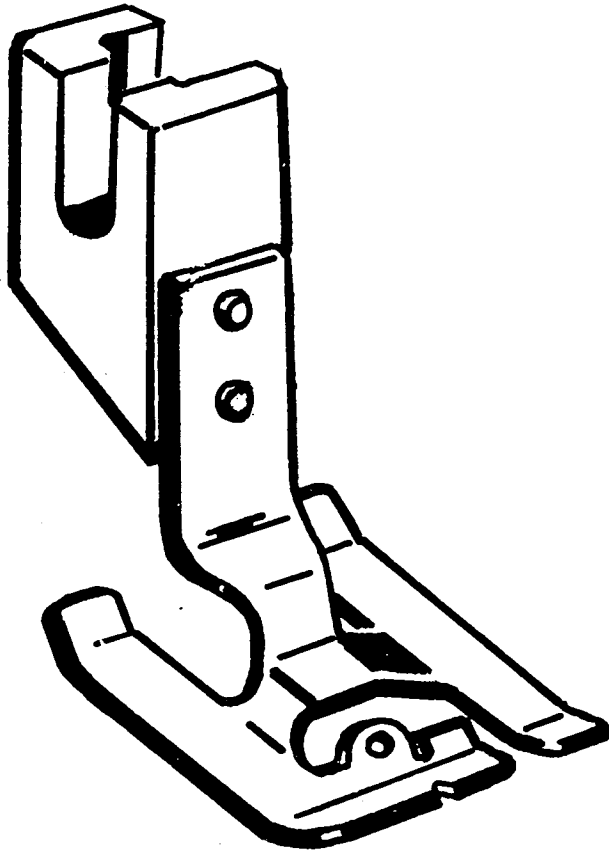


- When raised edge is placed to right adjust foot to left of needle.
- When raised edge is placed to left adjust foot to right of needle.

STRAIGHT STITCH PRESSER FOOT

This foot and throat plate are used where fabric and sewing procedure require close control... For precision stitching of curved and scalloped edges, top stitching, edge stitching and for stitching delicate or spongy fabrics, synthetics and knits.

SPECIAL PURPOSE FOOT



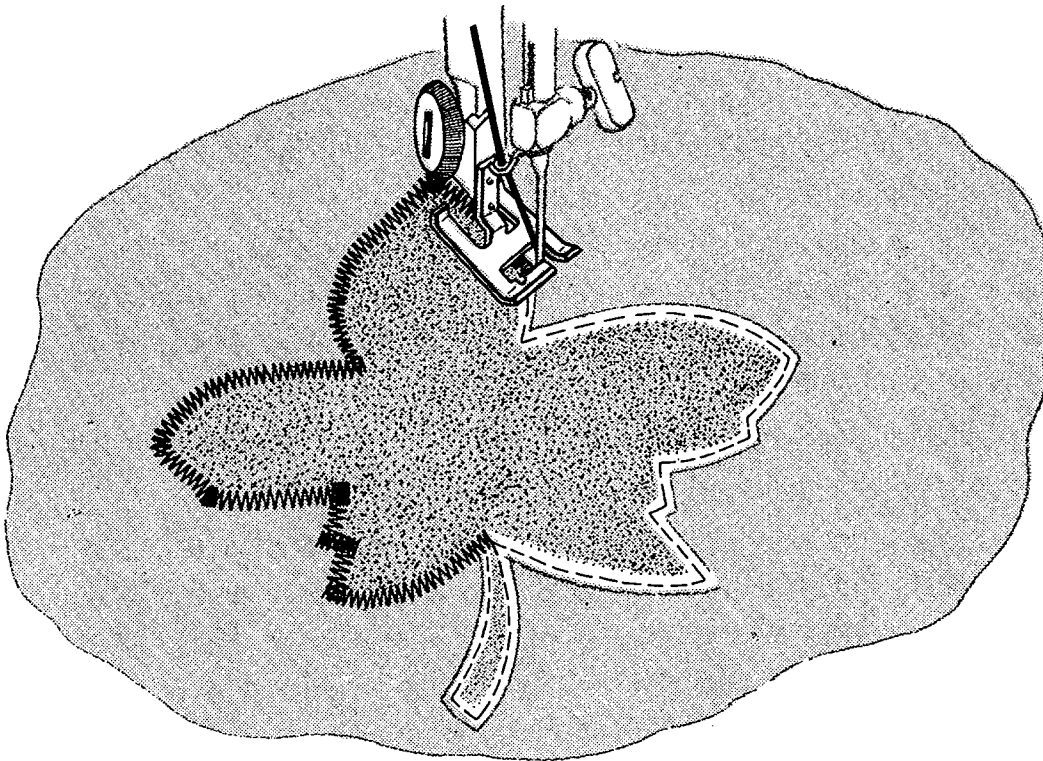
The special purpose foot is designed for zig-zag satin stitching, buttonholing and applique. This light, flexible foot has a raised center section that allows closely spaced zig-zag stitches to feed evenly. The small eyelets at the front of the foot hold a filler cord when that is desired.

APPLICATIONS

Buttonholes
Applique
Monograms

Decorative Stitching
Couching
Motifs

APPLIQUE



Motif or designs, applied with a zig-zag stitch, add beauty and interest to wearing apparel and household textiles.

Bands, flowers, leaves or figures in contrasting or self fabric, may be effectively applied to another surface by two methods. The appropriate method is determined by the fabric being used. A test sample is advisable.

METHOD 1

Position and baste design to fabric. Outline the entire design with a short straight stitch. Trim raw edges close to stitching.

Set stitch width and stitch length for zig-zag stitch desired. Overedge design. This smooth uniform finish requires no additional trimming.

METHOD 2

Position and outline design as for Method 1. Follow the shape of design, outlining it entirely with zig-zag stitching. Trim away excess fabric on the outer edges of the applique after stitching has been completed.

CLEANING THE MACHINE



SINGER* Lint Brush.

When in regular use—

The machine should be cleaned periodically with LINT BRUSH to remove the lint and fluff which may have accumulated around the working parts.

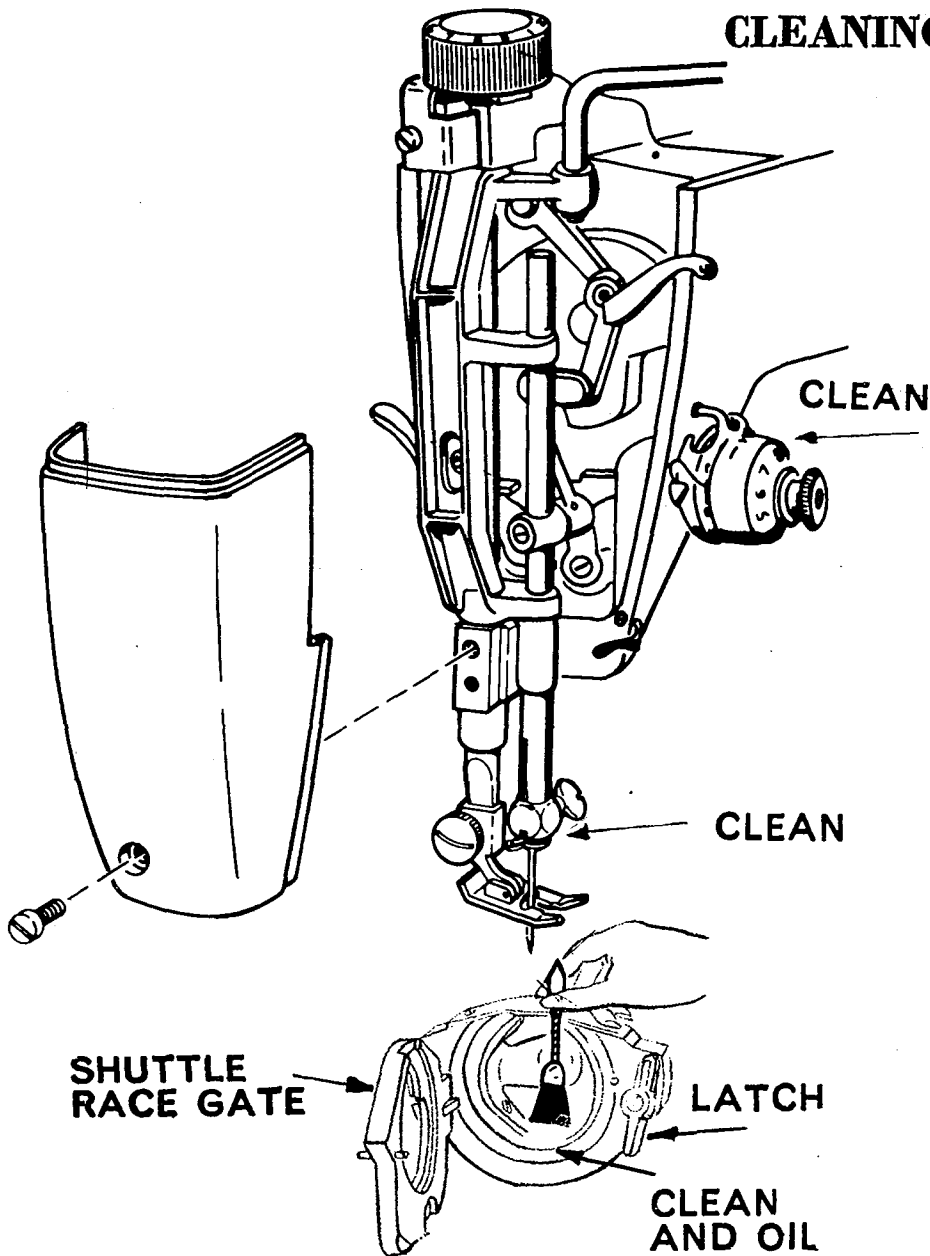
To remove face plate, remove face plate screw. Clean the area inside. Remove bobbin case, release latch, open shuttle race gate and clean stitch forming mechanism.

After each cleaning, oil the machine as instructed on pages 55, 56 and 57.

If the machine is to be stored for an indefinite period, brush away all traces of lint and fluff, then swab all exposed parts with a lint free brush saturated with SINGER* oil to protect against rust damage.

The area in head of machine that should be cleaned and covered with a protective coat of oil is shown at left.

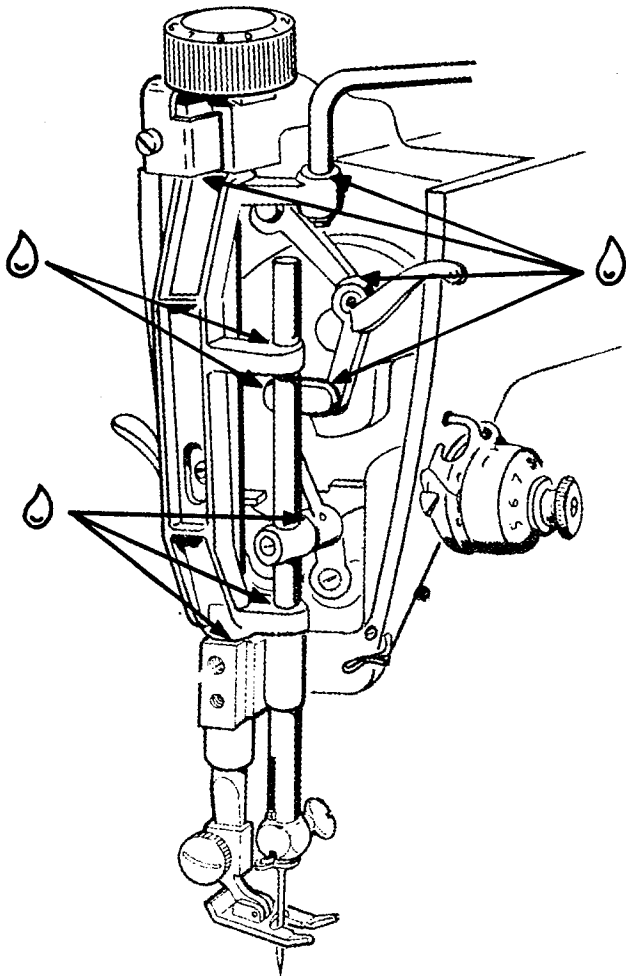
Also clean stith-forming mechanism and cover exposed parts with a coat of oil.



LUBRICATING THE MACHINE

To keep your machine in top running condition, SINGER* Oil and Lubricant, especially prepared for sewing machines, should always be used.

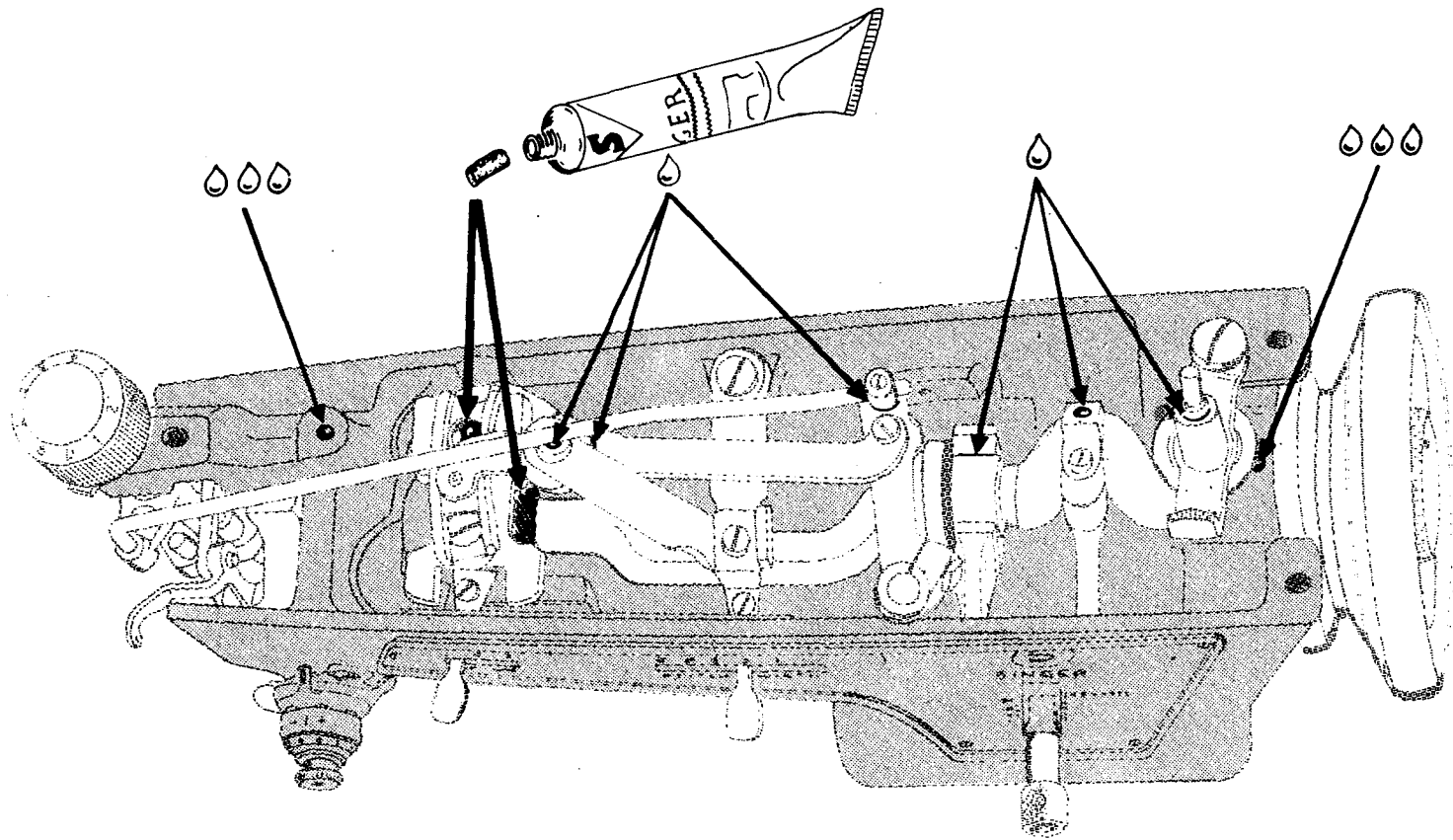
If the machine is used continuously, it should be oiled daily. If moderately used, an occasional oiling is sufficient.



- Remove face plate and top cover and oil the places indicated.

LUBRICATING THE MACHINE (Cont'd)

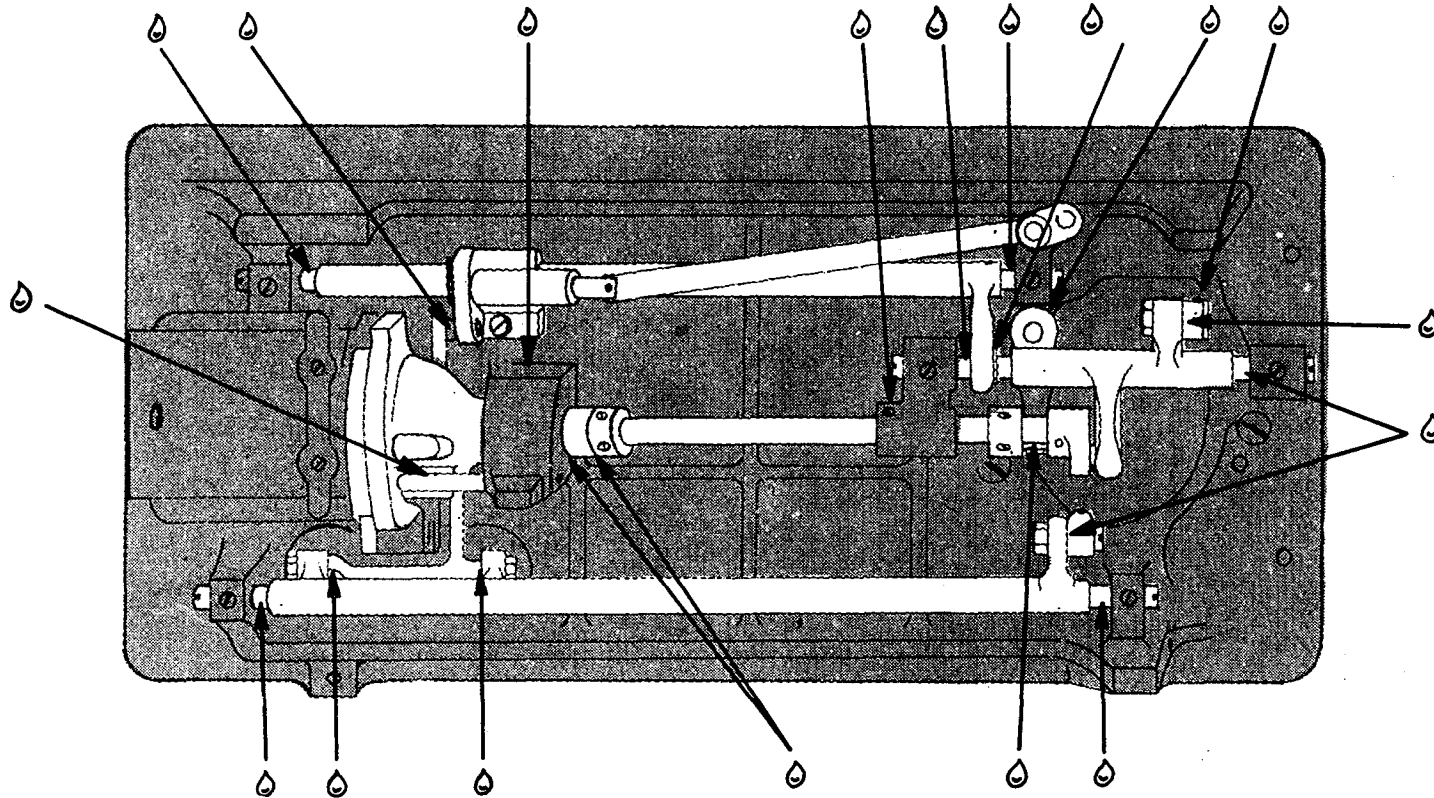
Note: Singer lubricant should be applied to gears as shown.



LUBRICATING THE MACHINE (Cont'd)

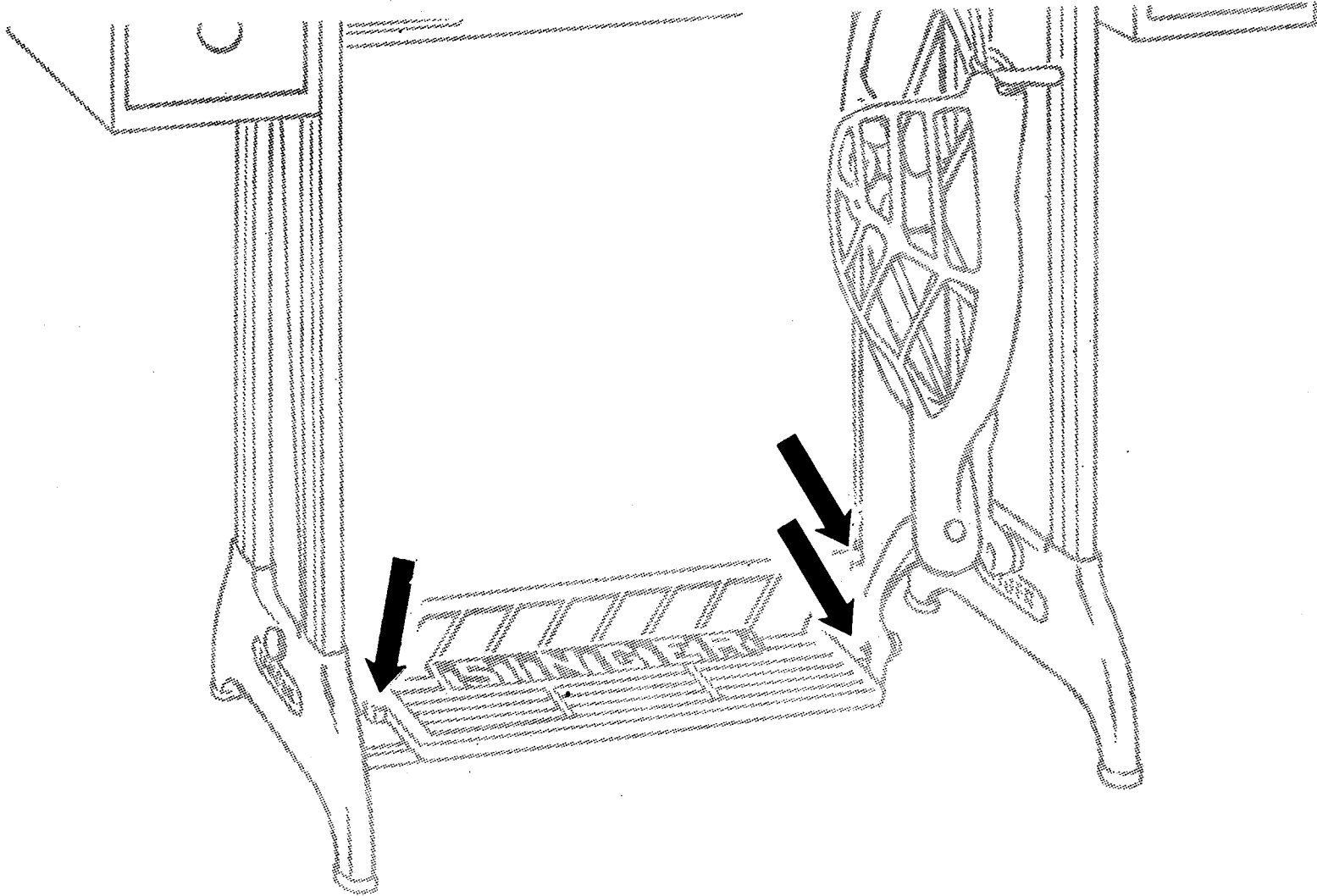
Under bed parts

- If the machine is used continuously, it should be oiled daily. If moderately used, an occasional oiling is sufficient.
- Apply a drop of oil at each of the places indicated.

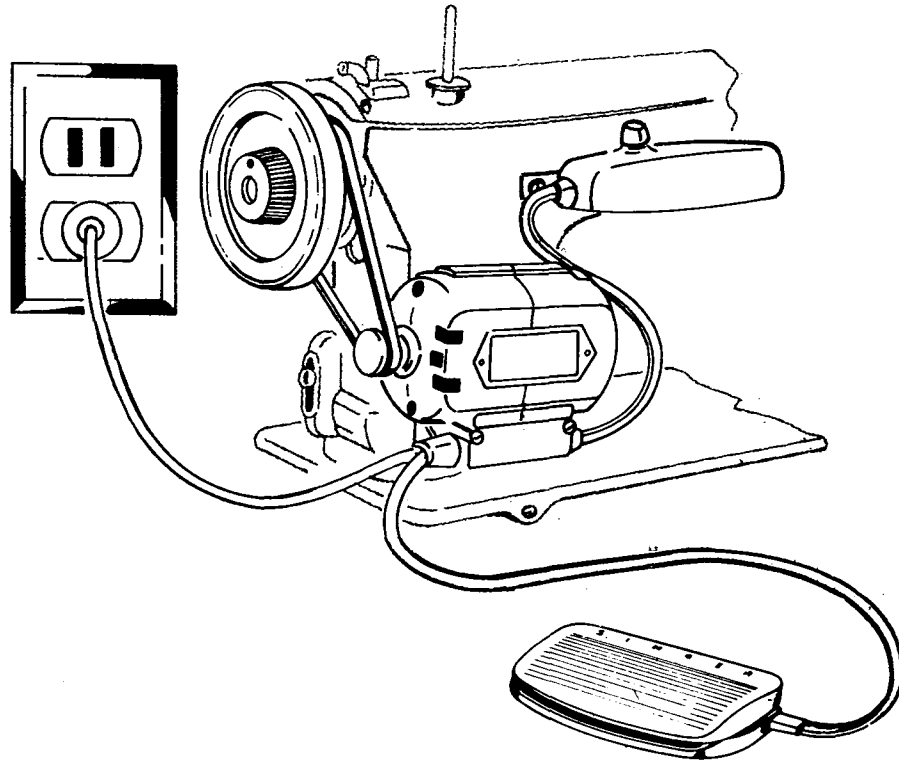


LUBRICATING THE STAND

Apply a drop of oil to each of the points indicated.



ELECTRICAL INFORMATION

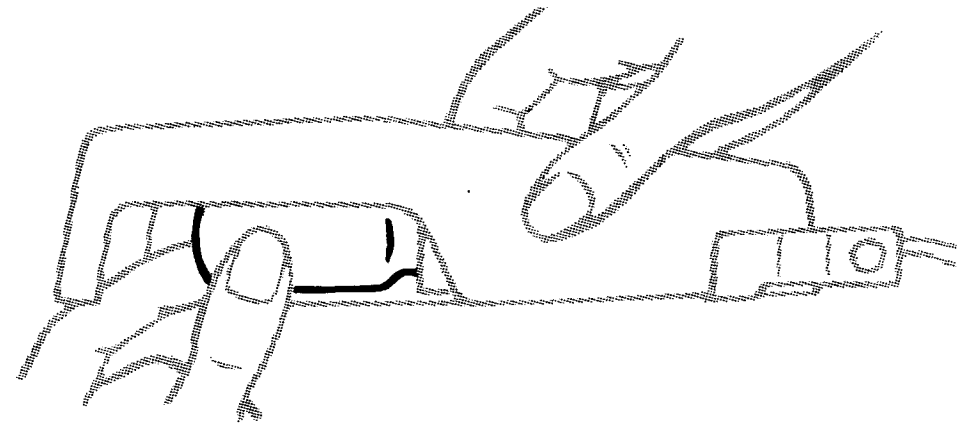
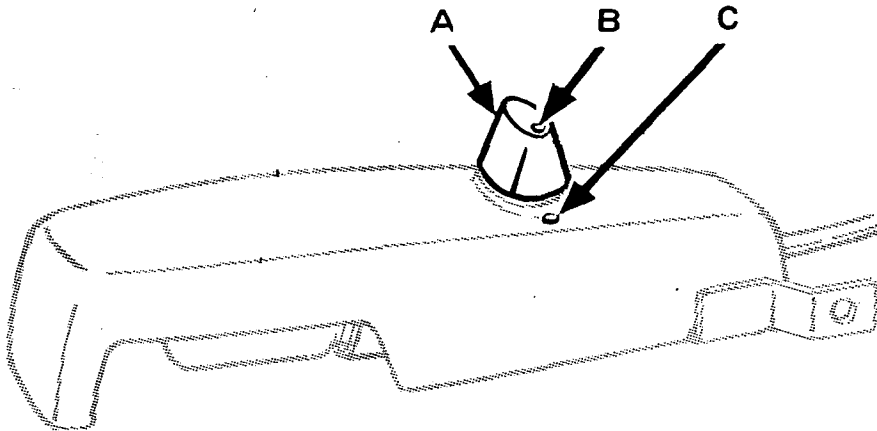


The **SINGER*** Electric Motor is located at the back of the machine and can be used with either alternating or direct current.

Before Inserting Electric Plug, be sure that voltage and cycles stamped on terminal cover are within range marked on the electrical meter installed by the power company.

Electrical Connection. Insert plug into nearest electrical outlet and the machine is ready for operation.

Speed Controller. Speed of machine is regulated by amount of pressure on pedal of foot controller.

LIGHT

To turn light "on", reach over machine arm and turn switch **A** clockwise.

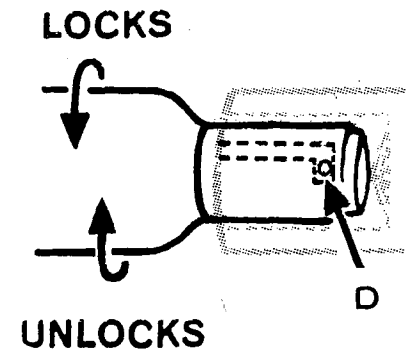
To turn light "off", turn switch **A** counterclockwise. In this position the mark **B** on switch is in line with mark **C** on light.

To Remove Bulb

Hold light with right hand. Bring left hand up under machine arm and press bulb into socket, at same time turn bulb over from machine as far as it will go to unlock pin **D**. Withdraw bulb.

To Insert Bulb

Press bulb into socket with pin **D** entering slot of socket. Turn bulb over toward machine until pin **D** enters notch in socket.



INDEX

	PAGE		PAGE
Applique53	Light60
Attachments42	Fabrics, guiding and supporting28
Foot Hemmer43	Free motion stitching (darning) 38-39-40-41	
Binder, presser foot	45-46	Features	2
Binding	45-46	Principal parts	4
Curved edges47	Foot, special purpose52
Bobbin case		Guiding and supporting28
Replacing14	Hemming with lace44
Treading	12-13	Hemmer foot43
Preparation for stitching18	Keeping the seam straight29
Removing	8	Knit fabric seams37
Thread Tension.21	Length of Stitch, regulating22
Winding	9-10-11	Light bulb, replacement60
Buttonholes	34-35-36	Lingerie, seams37
Changing the needle15	Lubricating55-56-57-58
Cleaning54	Motor59
Darning	38-39	Needle position19
Darning Without an Embroidery Hoop	30	Needle thread tension20
Electrical Informations			
Motor59		

INDEX

	PAGE		PAGE
Operating of the machine5-6-7	Straight stitching	
Prepare to sew18	Centre position19
Presser foot for straight stitch51	Presser foot51
Principal parts of machine	4	Tension adjustment	
Removal and replacing of bobbin	8-14	Bobbin thread21
Reverse stitching	26-27	Needle thread20
Regulation	22-32	Satin stitching33
Regulating feed height24	Threading Bobbin Case	12-13
Regulating pressure23	Threading, upper17
Satin stitching, tension adjustment33	Winding a Bobbin	9-10-11
Script lettering41	Zig-Zag Stitching	
Seams	25-26-27	Applications53
Seam, lingerie37	Control of Width31
Seam guide48	Needle position31
Seams hemmed44	Tension adjustment33
Stitch width lever19	Zipper foot49
		Insertion50
		Corded seams50

For your protection

SINGER Sewing Machines are sold and serviced wherever you see the famous SINGER and Red "S" Trademarks. When your machine needs servicing call your SINGER SEWING CENTRE or AUTHORIZED SINGER DISTRIBUTOR to be sure of warranted SINGER parts and service.

S I N G E R S E W I N G M A C H I N E C O M P A N Y